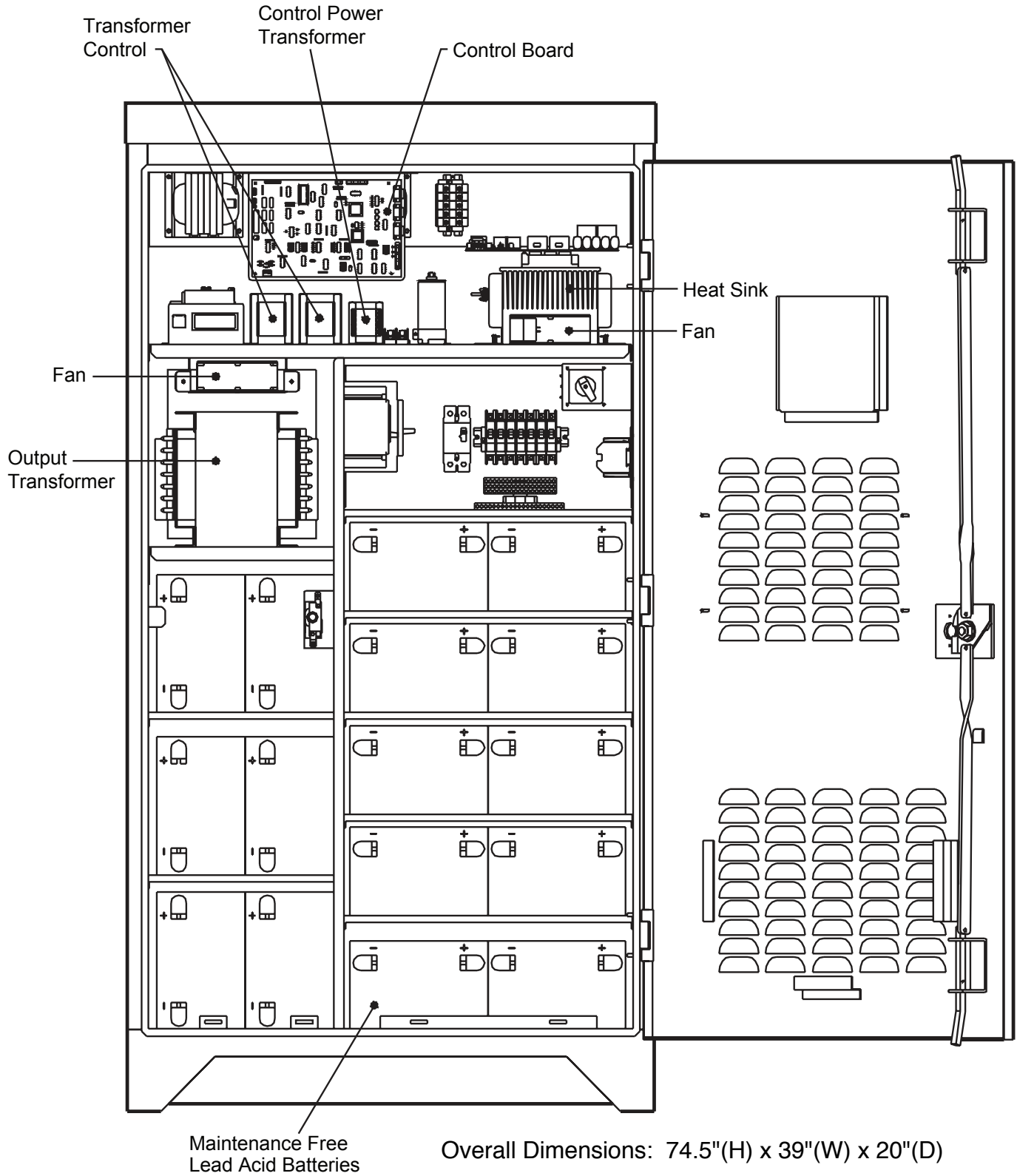


ONLINE POWER PROPRIETARY
CONFIDENTIAL INFORMATION

REV	ECO	DESCRIPTION	DATE	APPROVED
X1		PRELIMINARY	4/05/08	H. BAIK



Overall Dimensions: 74.5"(H) x 39"(W) x 20"(D)

APPROVED DISAPPROVED
 APPROVED WITH COMMENTS

DATE:

UNLESS OTHERWISE SPECIFIED,
DIMENSIONS ARE IN INCHES.

TITLE:
Harsh Environment UPS (HEUPS)

COMMENTS: _____

ILLUSTD: CHUN 7/01/05

CHKD:

APPVD:

APPVD:

Single Phase 3-20 kVA

DWG #: HEU4058B-509

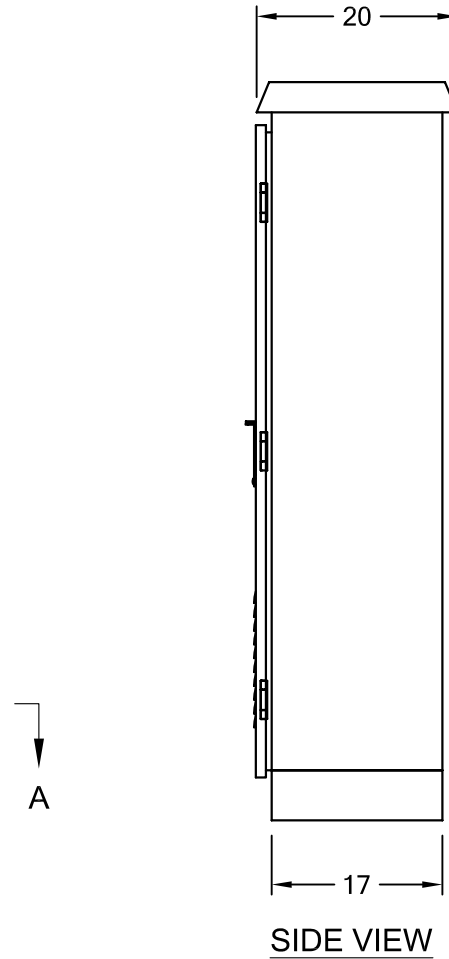
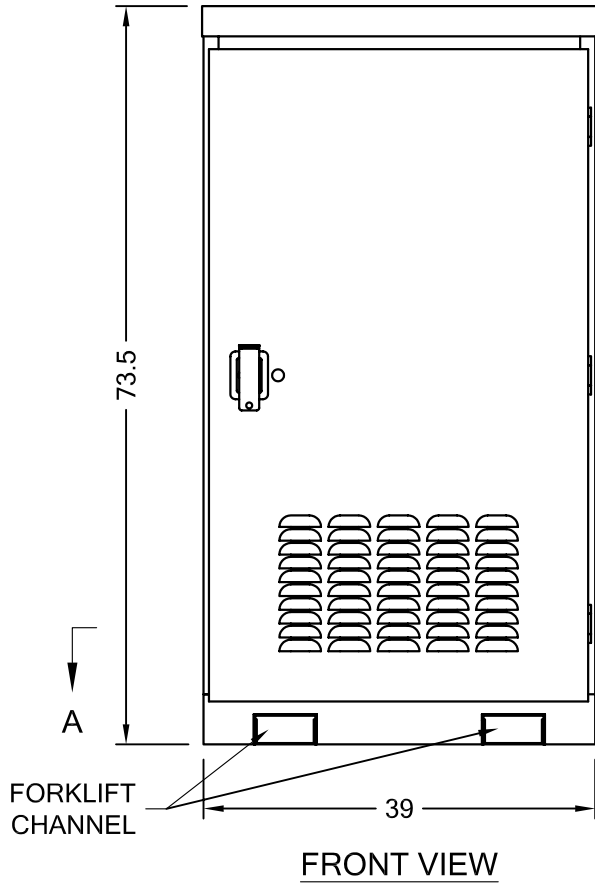
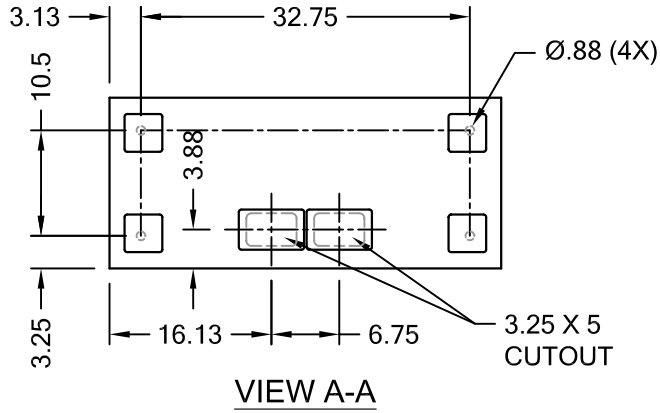
NAME:

SIGNATURE:

SPECIFICATIONS SUBJECT TO CHANGE WITHOUT NOTICE




REVISION				
REV	ECO	DESCRIPTION	DATE	APPROVED
X1		PRELIMINARY	3/16/10	H. BAIK

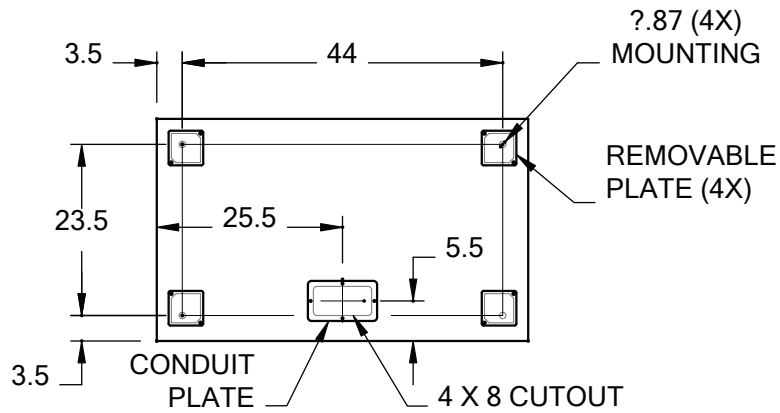


NOTES: (UNLESS OTHERWISE SPECIFIED)

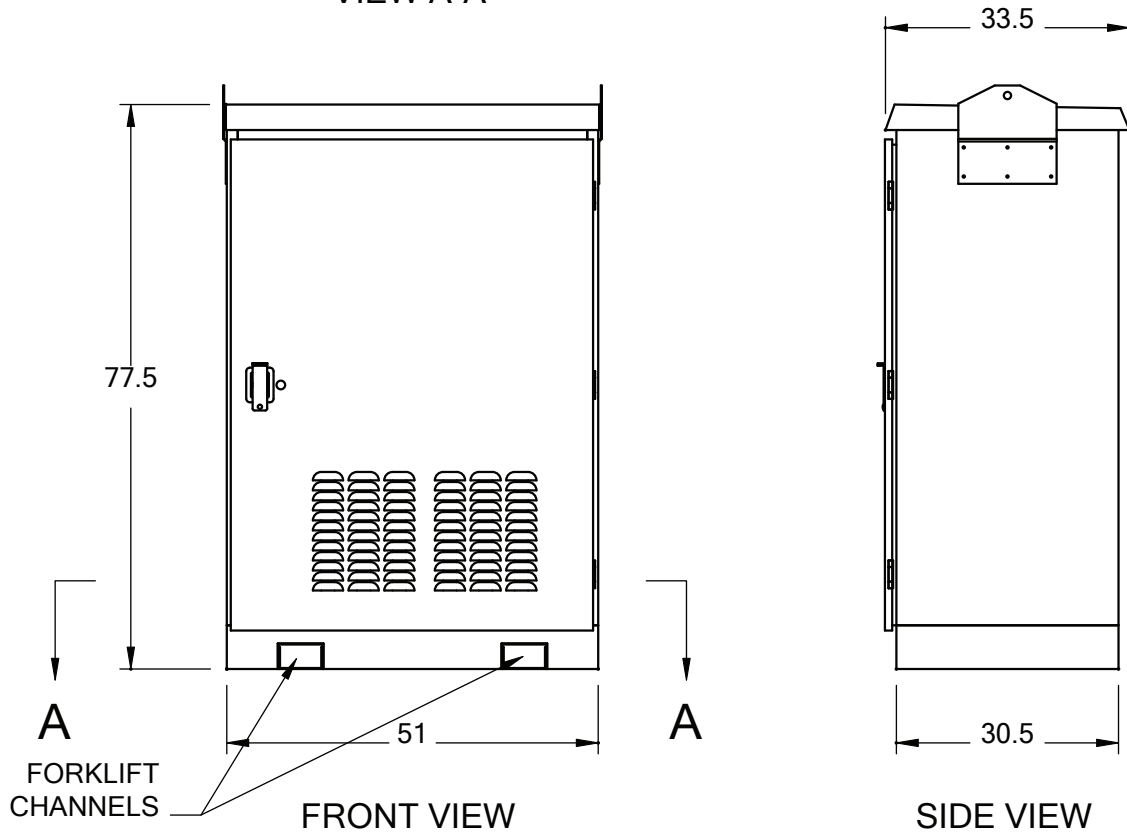
- 1) ALL DIMENSIONS SHOWN ARE APPROXIMATE.
- 2) CONSTRUCTION: OUTDOOR.
- 3) FINISH: IBM PEARL WHITE.

UNLESS OTHERWISE SPECIFIED, DIMENSIONS ARE IN INCHES. TOLERANCES ARE: DECIMALS FRACTIONS ANGLES .XX ± .03 ± 1/64 ± 1/2° .XXX ± .010		 COMMERCE, CA	
CADD: HAI NGUYEN		3/16/10	
CHKD: HAI NGUYEN		3/16/10	
APPVD: H. BAIK		3/16/10	
TITLE Standard Cabinet Outline Drawing		SIZE A	DWG 6001-142
SCALE:		EST. WT:	REV X1
SHT 1 OF 1		SPECIFICATIONS SUBJECT TO CHANGE WITHOUT NOTICE	

REVISION				
REV	ECO	DESCRIPTION	DATE	APPROVED
X1		PRELIMINARY	4/7/10	H. BAIK



VIEW A-A



NOTES: (UNLESS OTHERWISE SPECIFIED)

- 1) DIMENSIONS SHOWN ARE APPROXIMATE.
- 2) CONSTRUCTION: OUTDOOR.
- 3) RATING: 7.5 KW TO 17 KW.

APPROVED DISAPPROVED DATE: _____
 APPROVED WITH COMMENTS

COMMENTS: _____

NAME: _____

SIGNATURE: _____

UNLESS OTHERWISE SPECIFIED,
DIMENSIONS ARE IN INCHES.
TOLERANCES ARE:
 DECIMALS FRACTIONS ANGLES
 .XX ± .03 ± 1/64 ± 1/2°
 .XXX ± .010

CADD:	HAI NGUYEN	4/7/10
CHKD:	HAI NGUYEN	4/7/10
APPVD:	H. BAIK	4/7/10



TITLE: **Optional Cabinet Outline Drawing
INVERTER WITH 90 MIN. BATT.**

SIZE	DWG	6001-131	REV	X1
------	-----	----------	-----	----

SCALE:	EST. WT:	SHT 1 OF 1
--------	----------	------------