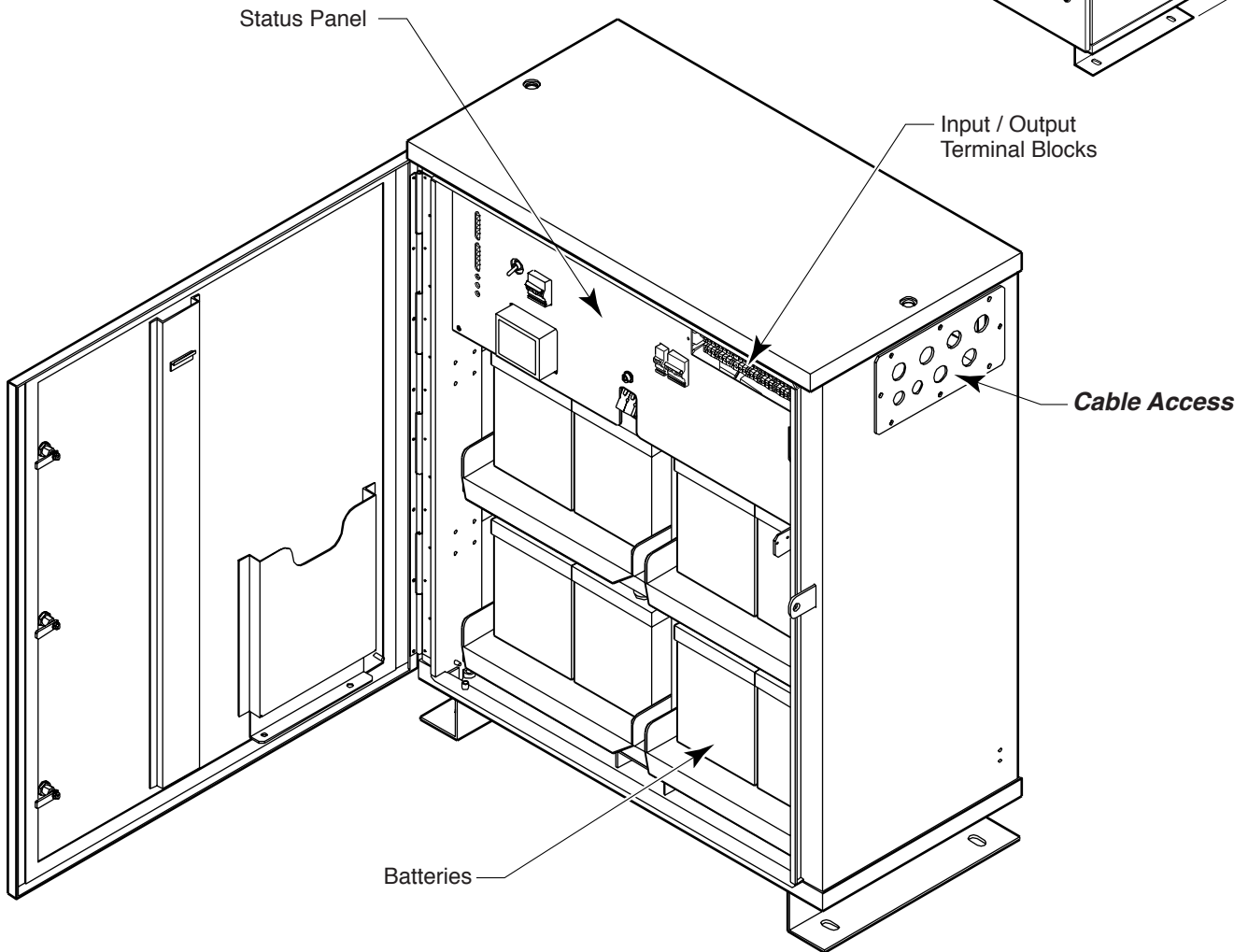
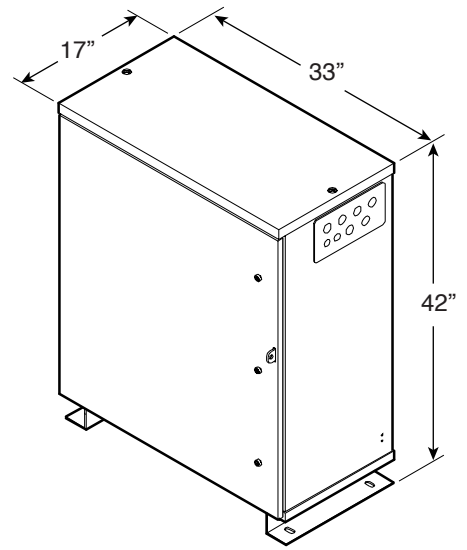
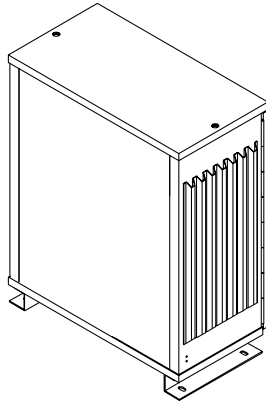
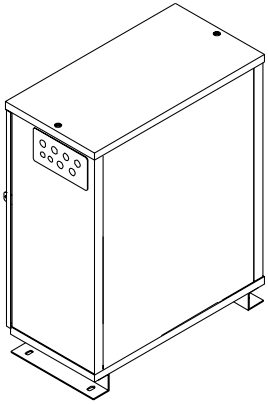


ONLINE POWER PROPRIETARY
CONFIDENTIAL INFORMATION

REV	ECO	DESCRIPTION	DATE	APPROVED
D		PRELIMINARY	5/02/09	H. BAIK



APPROVED DISAPPROVED
 APPROVED WITH COMMENTS

DATE:

UNLESS OTHERWISE SPECIFIED,
DIMENSIONS ARE IN INCHES.

TITLE:
Harsh Environment PBC-II

COMMENTS: _____

ILLUSTRATED BY: CHUN 5/25/09

CHKD:

APPVD:

APPVD:

500 - 1600 W

DWG #: PBC4135A-509

NAME:

SIGNATURE:

SPECIFICATIONS SUBJECT TO CHANGE WITHOUT NOTICE

