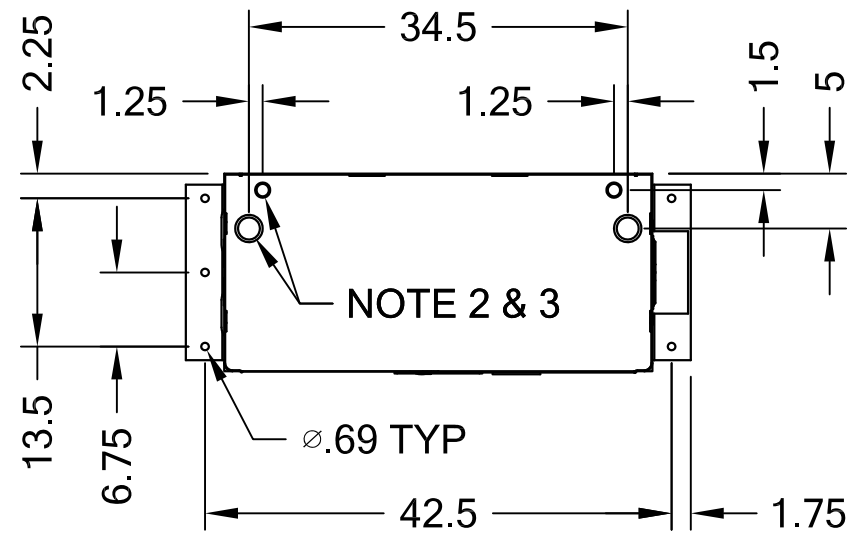
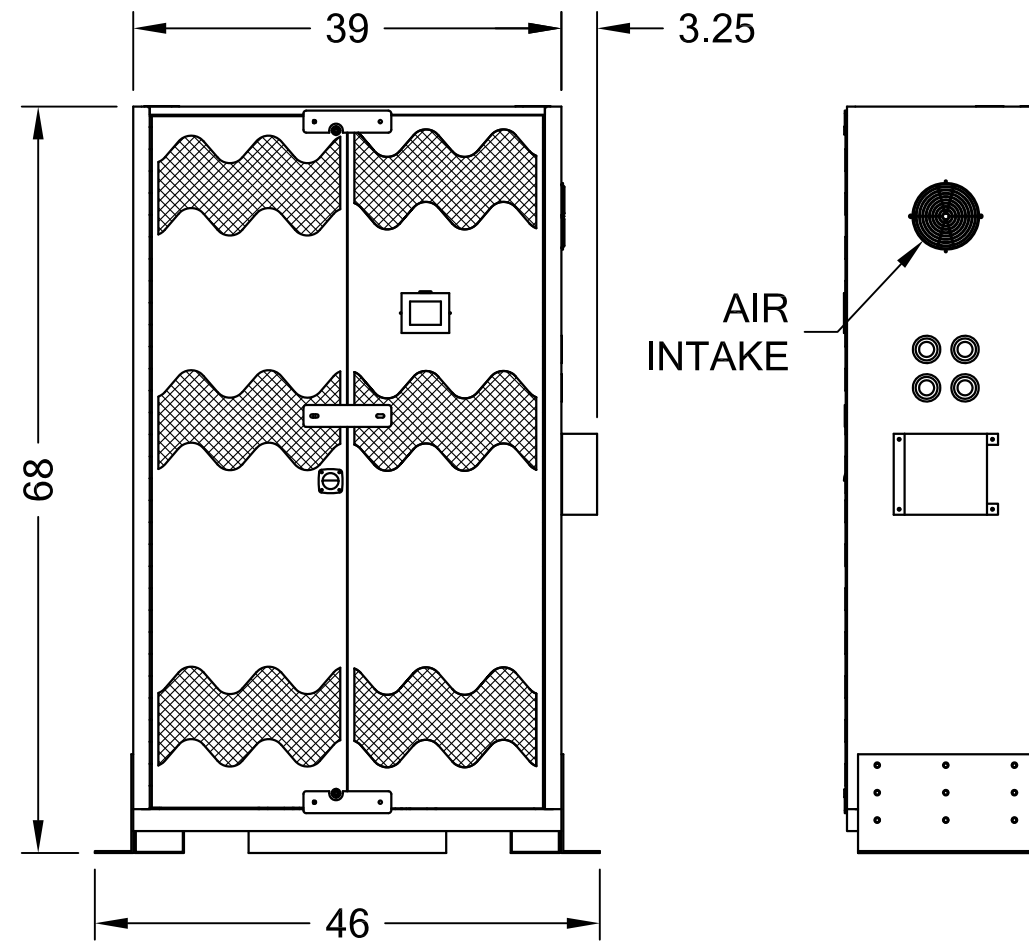
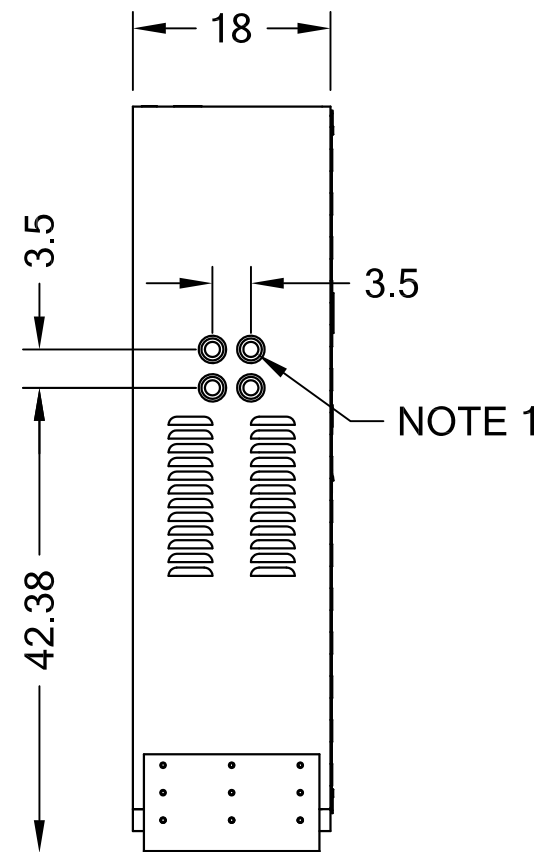


REVISION				
REV	ECO	DESCRIPTION	DATE	APPROVED
X1		PRELIMINARY	2/23/17	H.B.




NOTES:

- 1) TRIPLE KNOCKOUT FOR 1", 1.5" AND 2" CONDUIT.
- 2) DOUBLE KNOCKOUT FOR 3/4" AND 1" CONDUIT.
- 3) DOUBLE KNOCKOUT FOR 1.5" AND 2" CONDUIT.
- 4) CONSTRUCTION: INDOOR, OSHPD RATED.
- 5) FINISH: COLOR BLACK.



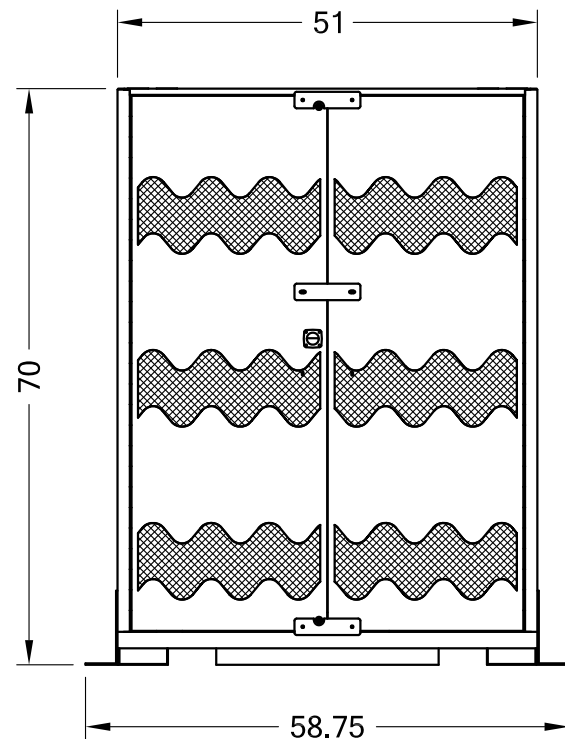
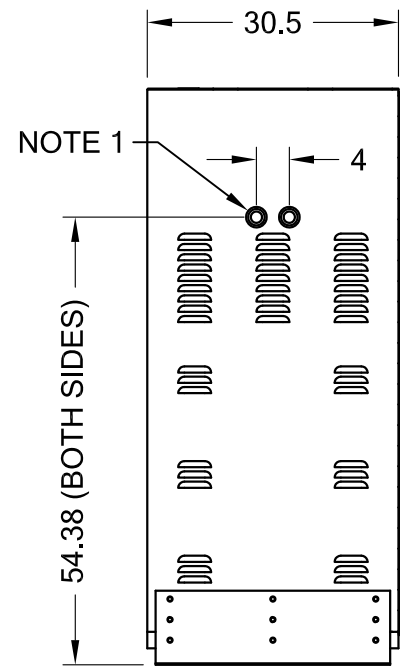
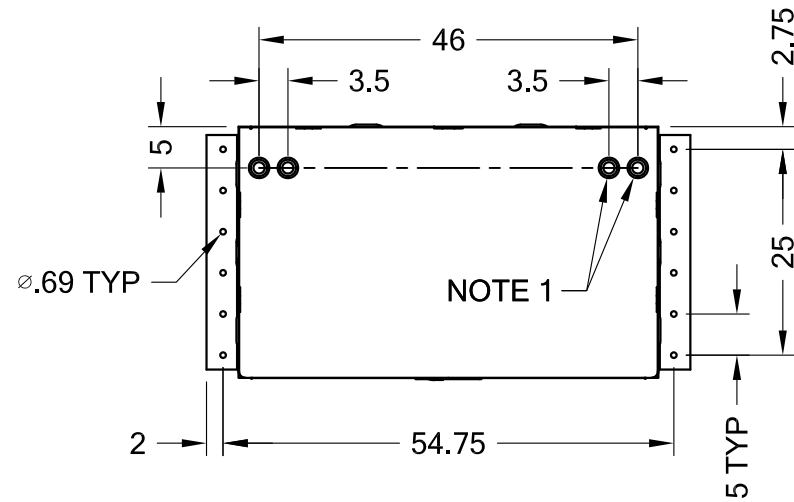
INVERTER CABINET

- 10KVA (8KW)
- 15KVA (12KW)
- 20KVA (16KW)
- 25KVA (20KW)
- 30KVA (24KW)
- 40KVA (32KW)
- 50KVA (40KW)
- 50KW

UNLESS OTHERWISE SPECIFIED, DIMENSIONS ARE IN INCHES. TOLERANCES ARE: DECIMALS .XX ± .03 .XXX ± .010		FRACTIONS ± 1/64		ANGLES ± 1/2°		 LOS ANGELES, CA TITLE 3 PH INVERTER, 90 MIN. OSHPD CERTIFIED
DRWN: HAI NGUYEN	2/23/17	SIZE B	DWG 6001-381	REV X1		
CHKD: HAI NGUYEN	2/23/17	SCALE:	EST. WT:	SHT 1 OF 3		
APPVD: H. BAIK 2/23/17						
SPECIFICATIONS SUBJECT TO CHANGE WITHOUT NOTICE						

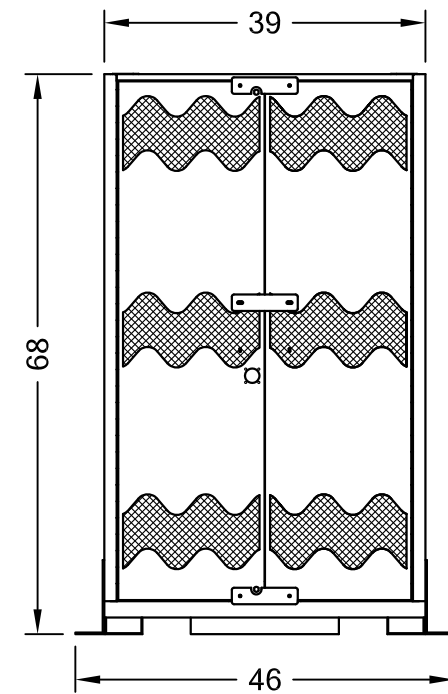
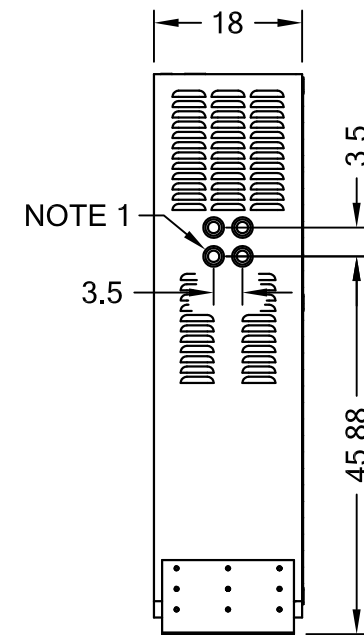
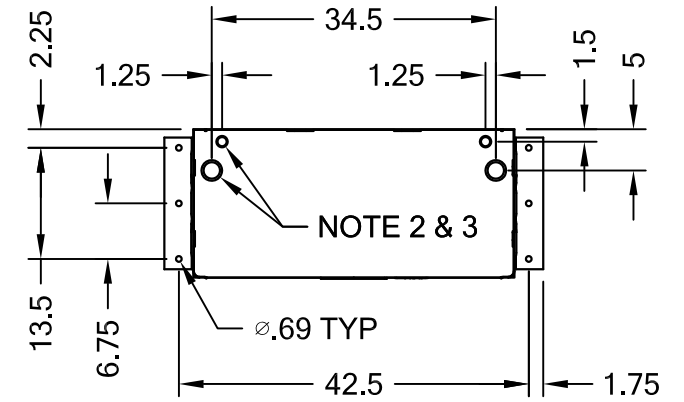
BATTERY CABINET

- 15KVA (12KW)
- 20KVA (16KW)
- 25KVA (20KW)
- 30KVA (24KW)
- 40KVA (32KW)
- 50KVA (40KW)
- 50KW



BATTERY CABINET

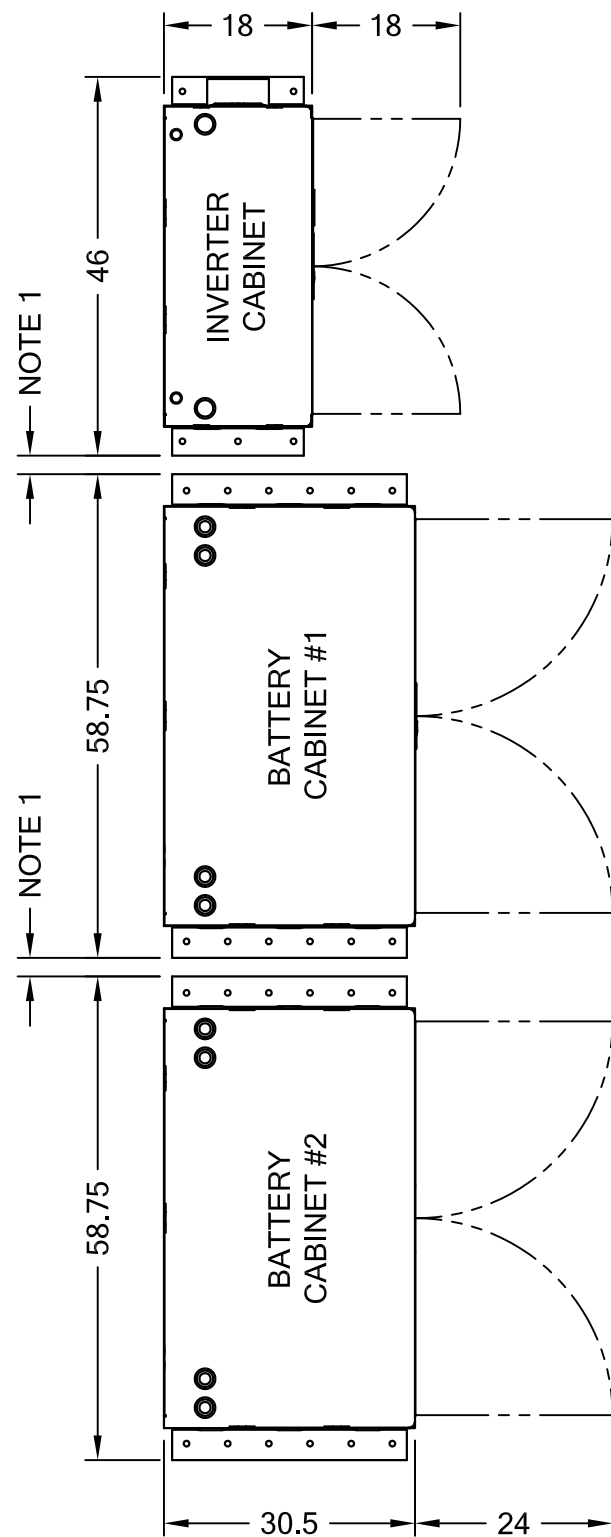
10KVA (8KW)



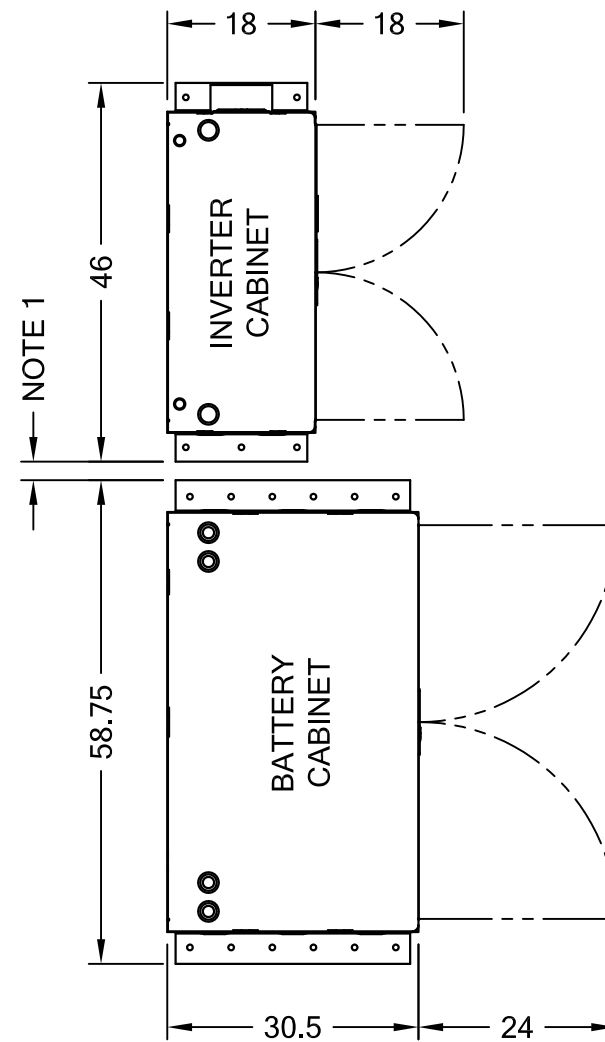
NOTES:

- 1) TRIPLE KNOCKOUT FOR 1", 1.5" AND 2" CONDUIT.
- 2) DOUBLE KNOCKOUT FOR 3/4" AND 1" CONDUIT.
- 3) DOUBLE KNOCKOUT FOR 1.5" AND 2" CONDUIT.

SIZE B	DWG 6001-381	REV X1
SCALE:	EST. WT:	SHT 2 OF 3



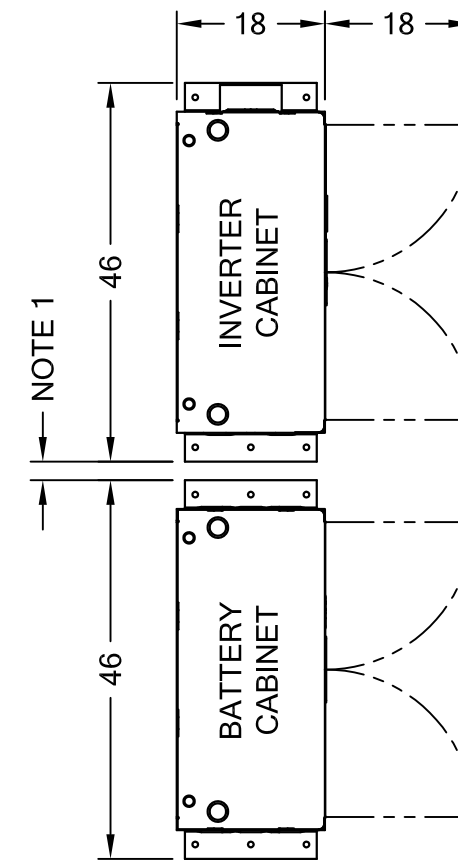
40KVA (32KW)
50KVA (40KW)
50KW



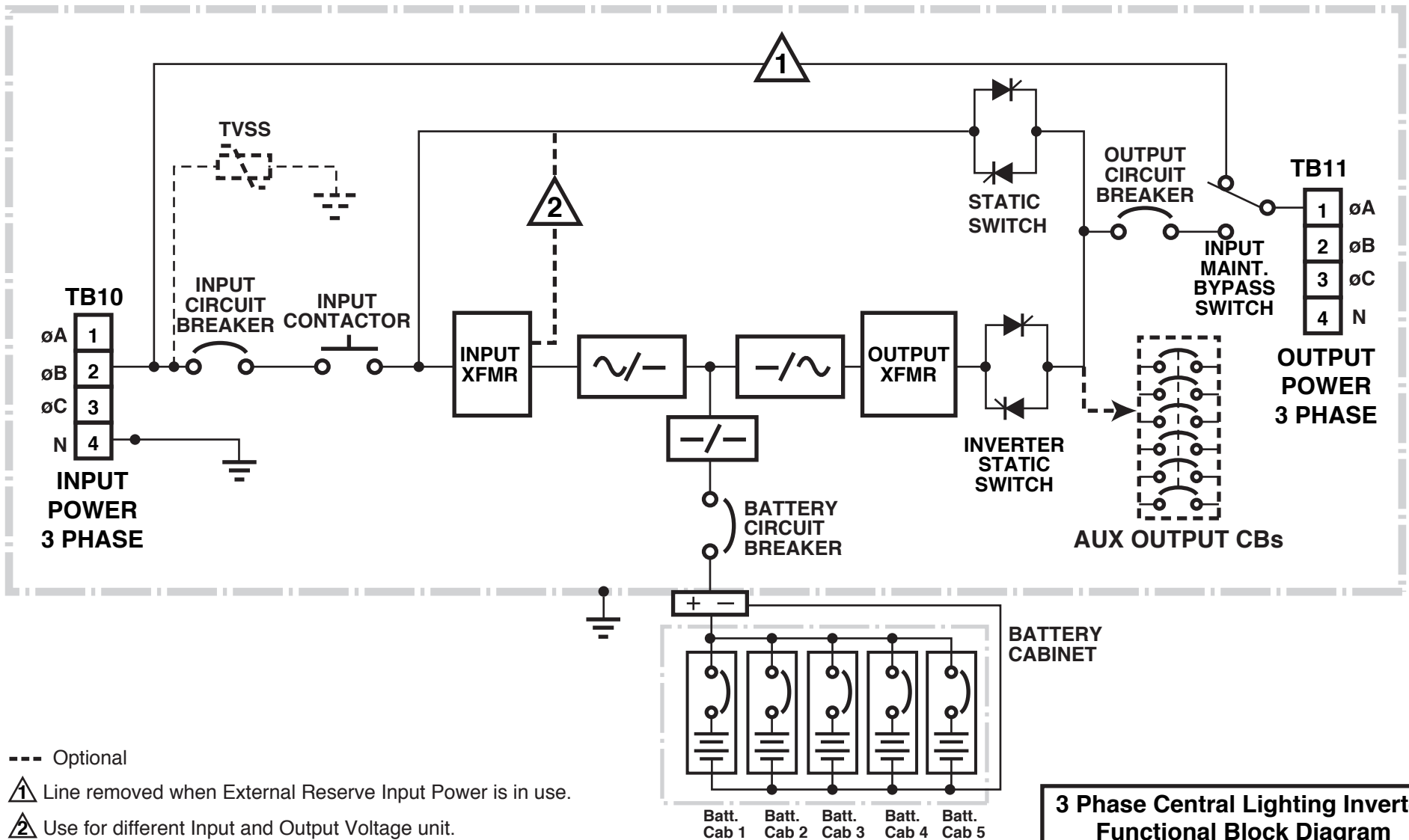
15KVA (12KW)
20KVA (16KW)
25KVA (20KW)
30KVA (24KW)

NOTE(S):

1) OPTIONAL SPACING, NOT REQUIRED BY MFG.



10KVA (8KW)



--- Optional

⚠ Line removed when External Reserve Input Power is in use.

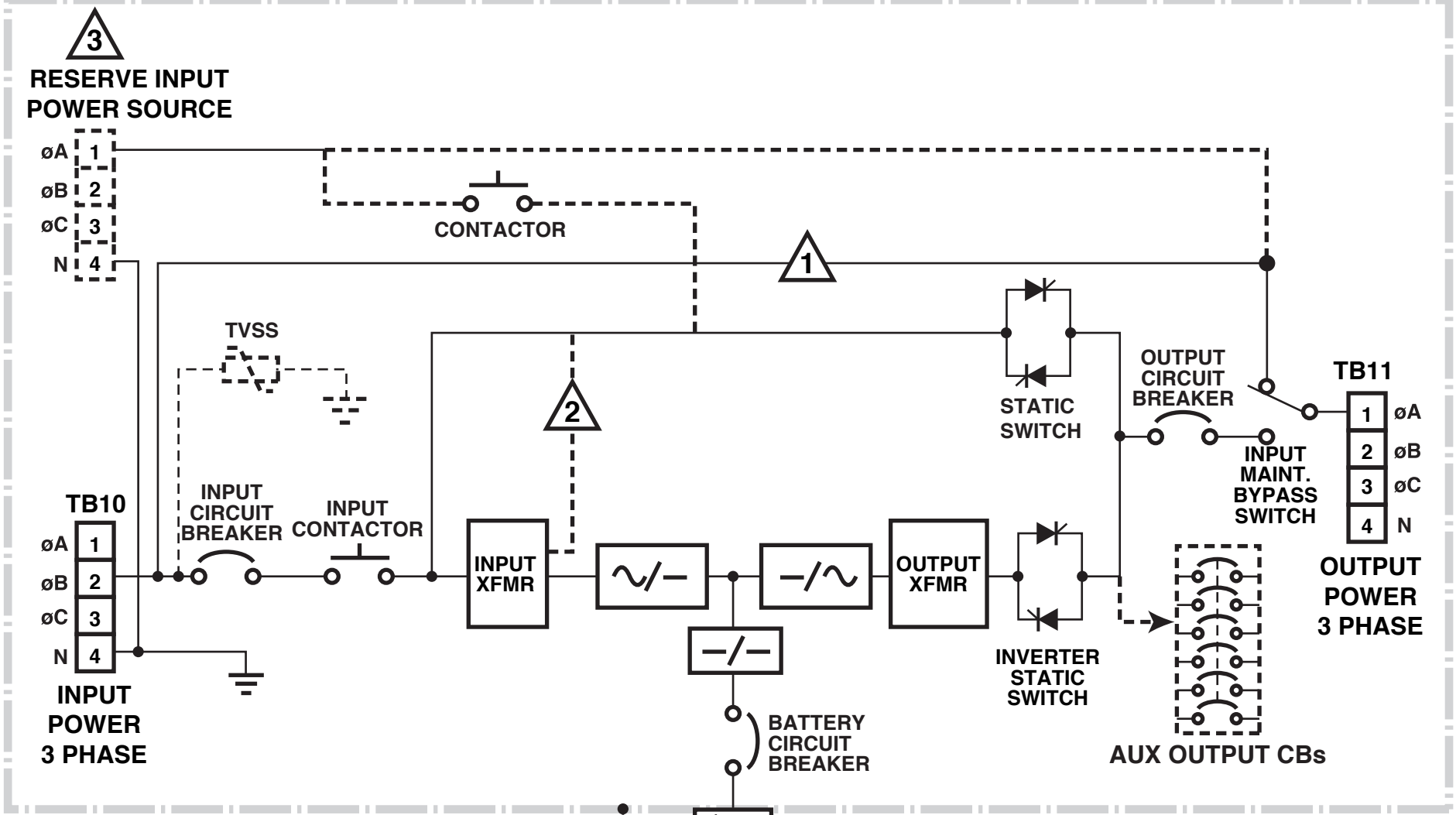
⚠ Use for different Input and Output Voltage unit.

NOTE: Optional External Wrap-around Bypass Switch is available.

**3 Phase Central Lighting Inverter
Functional Block Diagram**

Single Line Diagram
Single Input

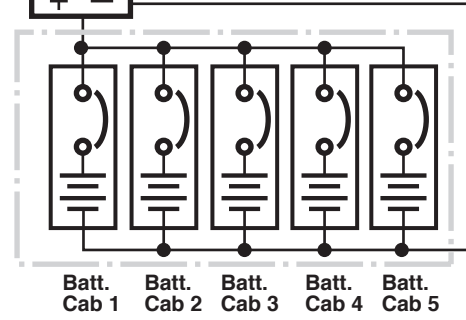




--- Optional

- ① Line removed when External Reserve Input Power is in use.
- ② Use for different Input and Output Voltage unit.
- ③ Reserve input voltage must be same as Inverter output voltage.

NOTE: Optional External Wrap-around Bypass Switch is available.

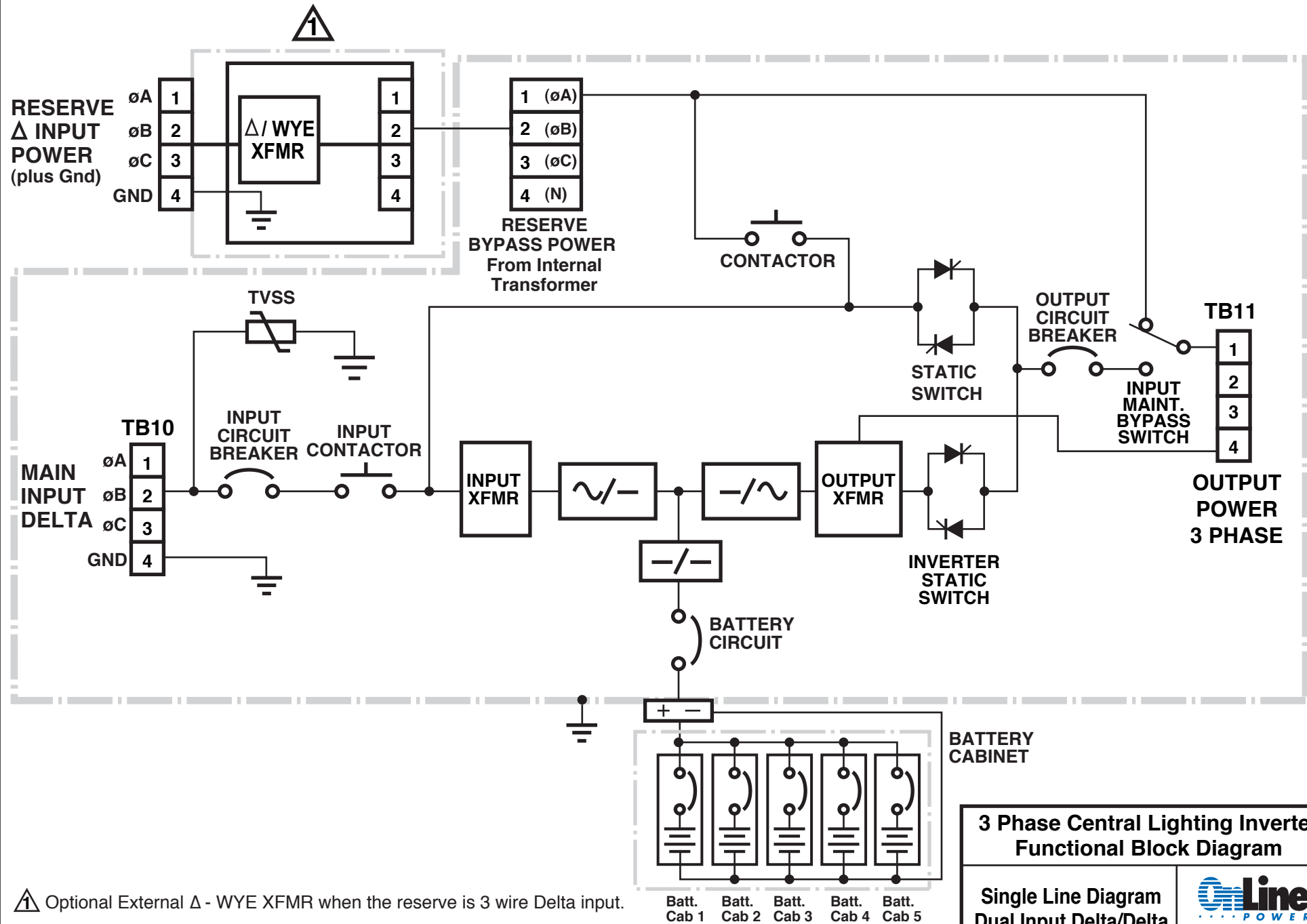


BATTERY CABINET

**3 Phase Central Lighting Inverter
Functional Block Diagram**

Single Line Diagram
Dual Input Wye/Wye





Optional External Δ - WYE XFMR when the reserve is 3 wire Delta input.

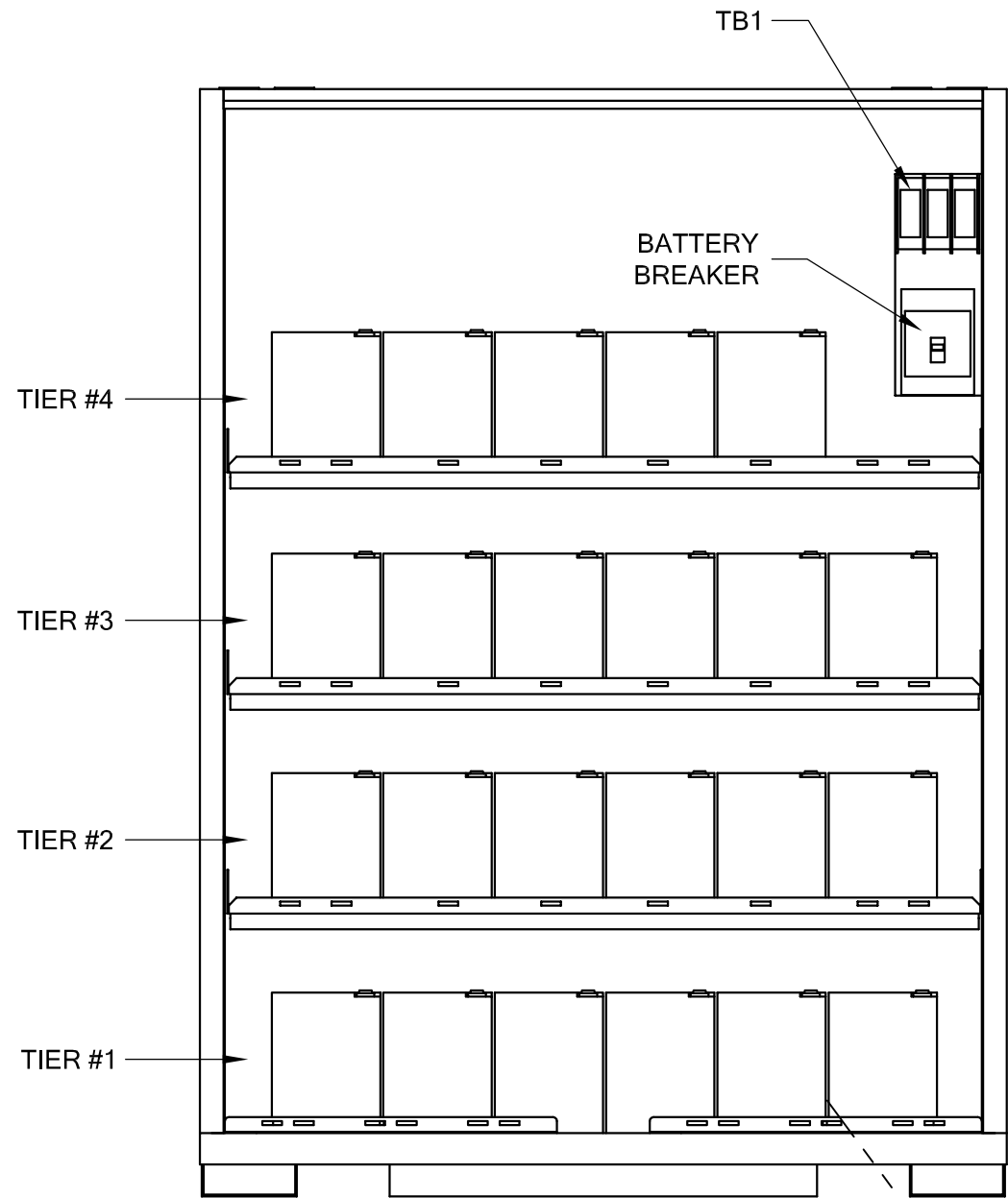
**3 Phase Central Lighting Inverter
Functional Block Diagram**

Single Line Diagram
Dual Input Delta/Delta

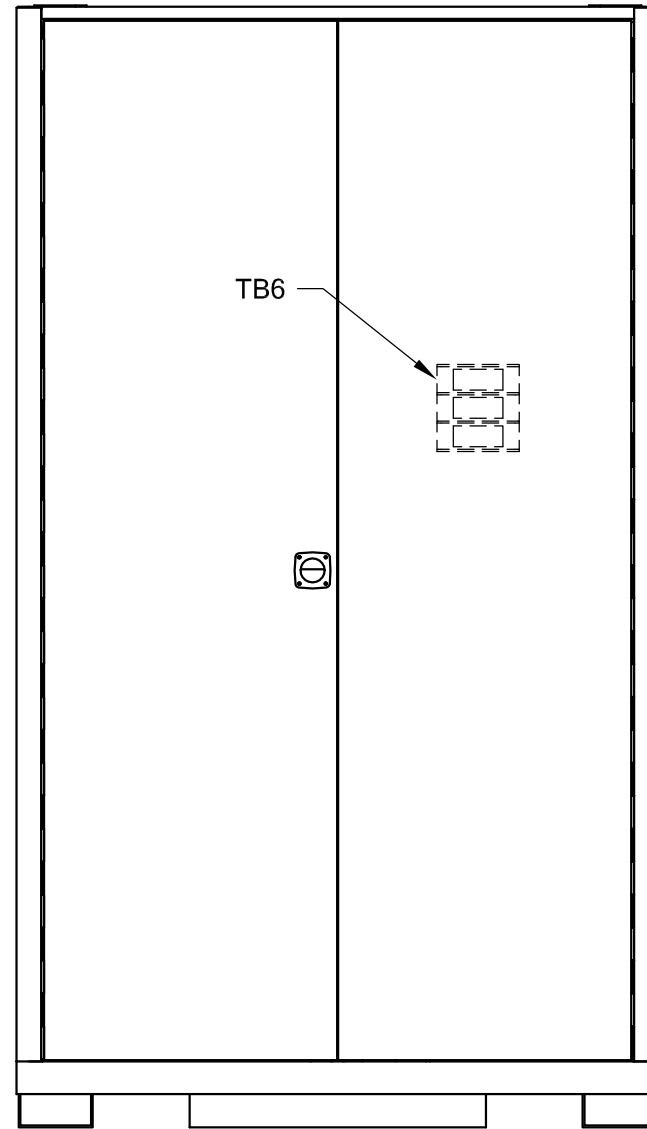
Line POWER

6001-032-10 Rev C

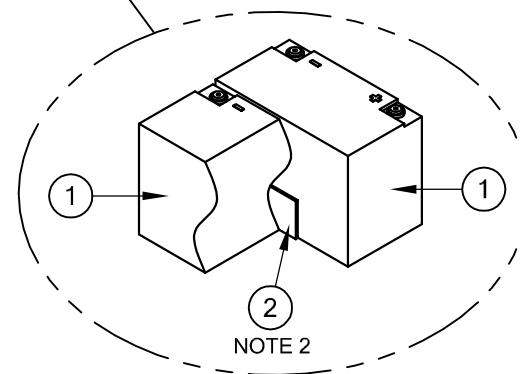
REVISION				
REV	ECO	DESCRIPTION	DATE	APPVD
A	11078	RELEASE	2/18/16	



BATTERY CABINET
#1 AND #2



INVERTER
CABINET



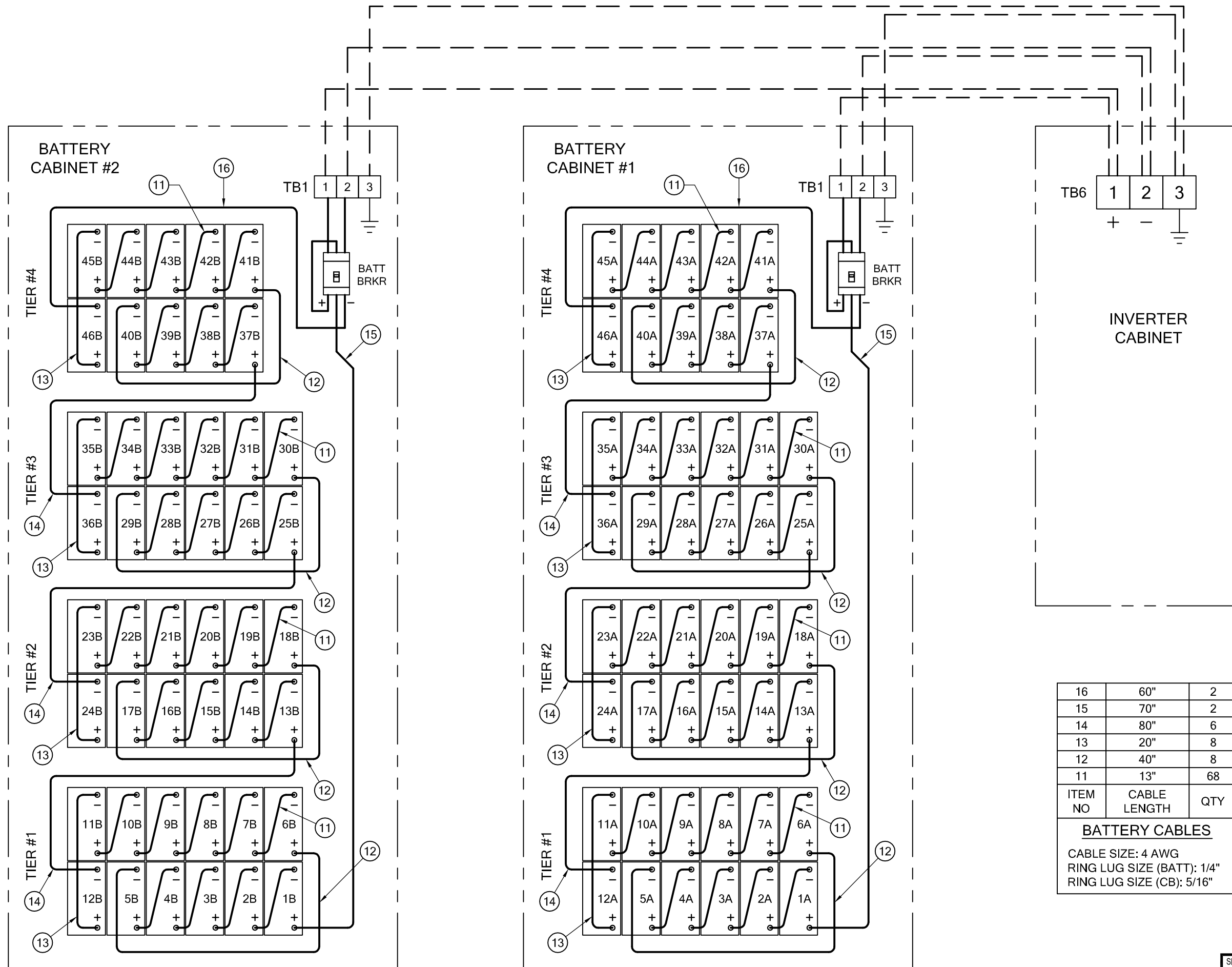
NOTES:

- 1) POSITION ALL BATTERIES AS SHOWN.
- 2) PLACE SPACER (ITEM 2) IN BETWEEN THE LONG SIDE OF BATTERIES.
- 3) CAREFULLY OBSERVE BATT POLARITY WHEN MAKING BATTERY CONNECTION.
- 4) ALL CONNECTIONS SHOWN IN DOTTED LINES TO BE PROVIDED BY CUSTOMER.
- 5) MAX. DC CURRENT: 150 AMPS
- 6) BATTERY STRINGS:
STRING A = BATTERY 1A THRU 46A
STRING B = BATTERY 1B THRU 46B
- 7) LABEL BATTERY NUMBERS AS SHOWN.
- 8) BATTERY TORQUE: 100 IN-LBS.

ITEM 3 THRU ITEM 10 ARE NOT BEING USED			
ITEM	PART NO	DESCRIPTION	QTY
2	5008-806	BATTERY SPACER	76
1	UNA12-420	BATTERY	92

PARTS LIST

TITLE						
BATTERY CONNECTION DIAGRAM 2 STRINGS OF 46 EACH						
CADD:	HN	2/18/16	SIZE	DWG	REV	
CHKD:	HN	2/18/16	B	6005-400	A	
APPVD:	H. BAIK	2/18/16	SCALE:	EST. WT:	SHT 1 OF 2	



ITEM NO	CABLE LENGTH	QTY
16	60"	2
15	70"	2
14	80"	6
13	20"	8
12	40"	8
11	13"	68

BATTERY CABLES

CABLE SIZE: 4 AWG
RING LUG SIZE (BATT): 1/4"
RING LUG SIZE (CB): 5/16"