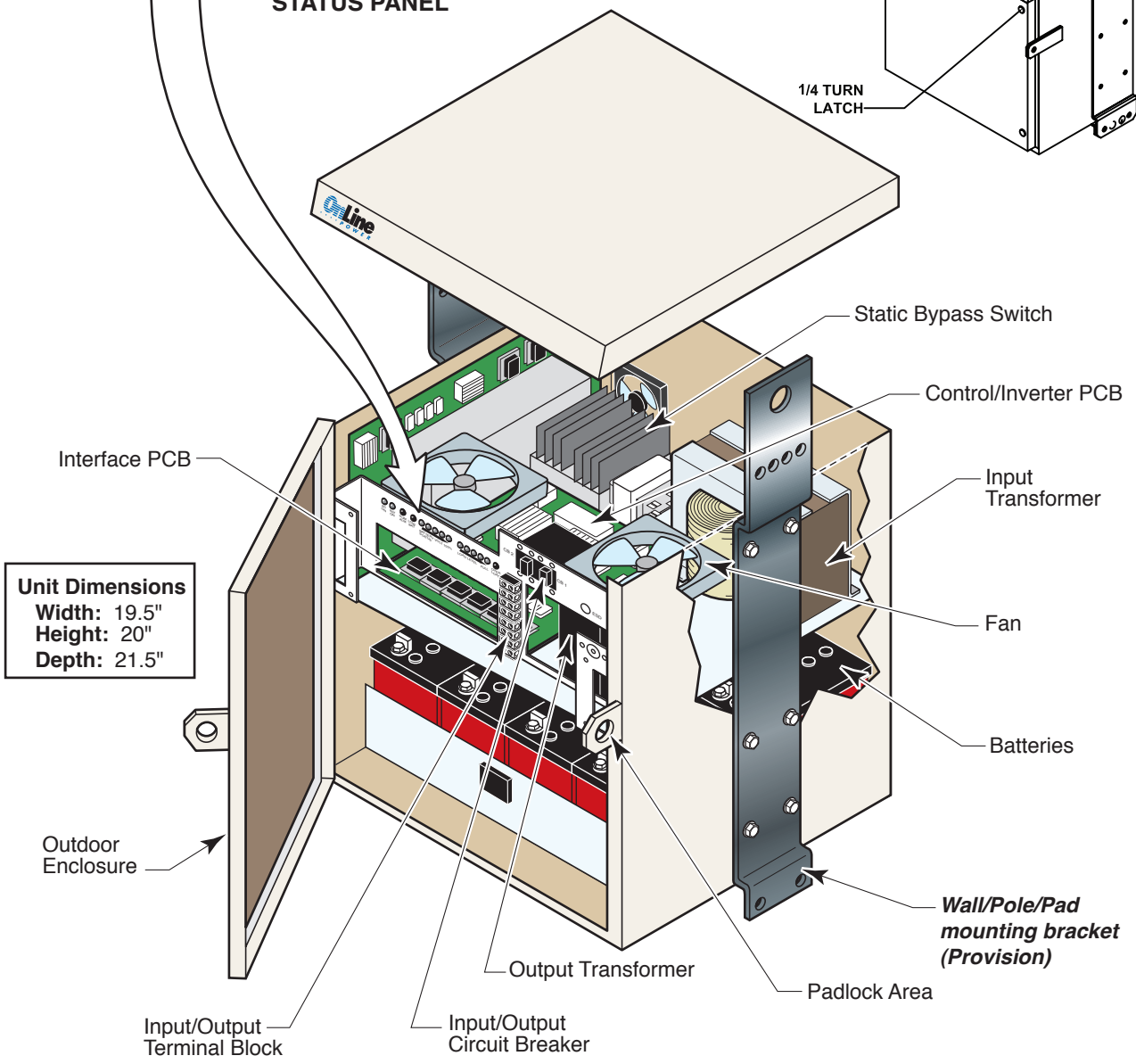
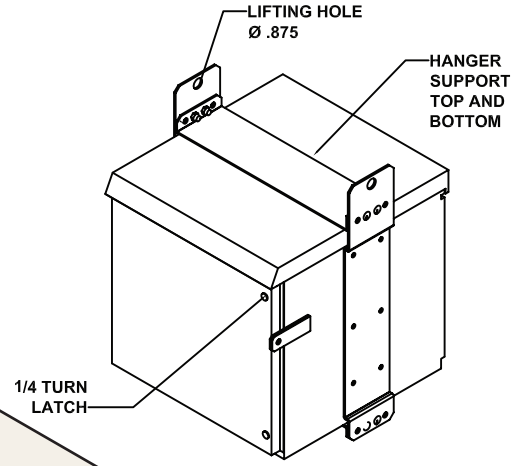
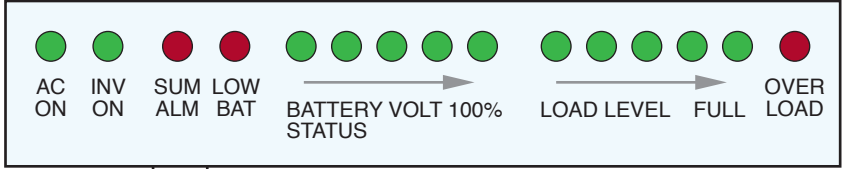


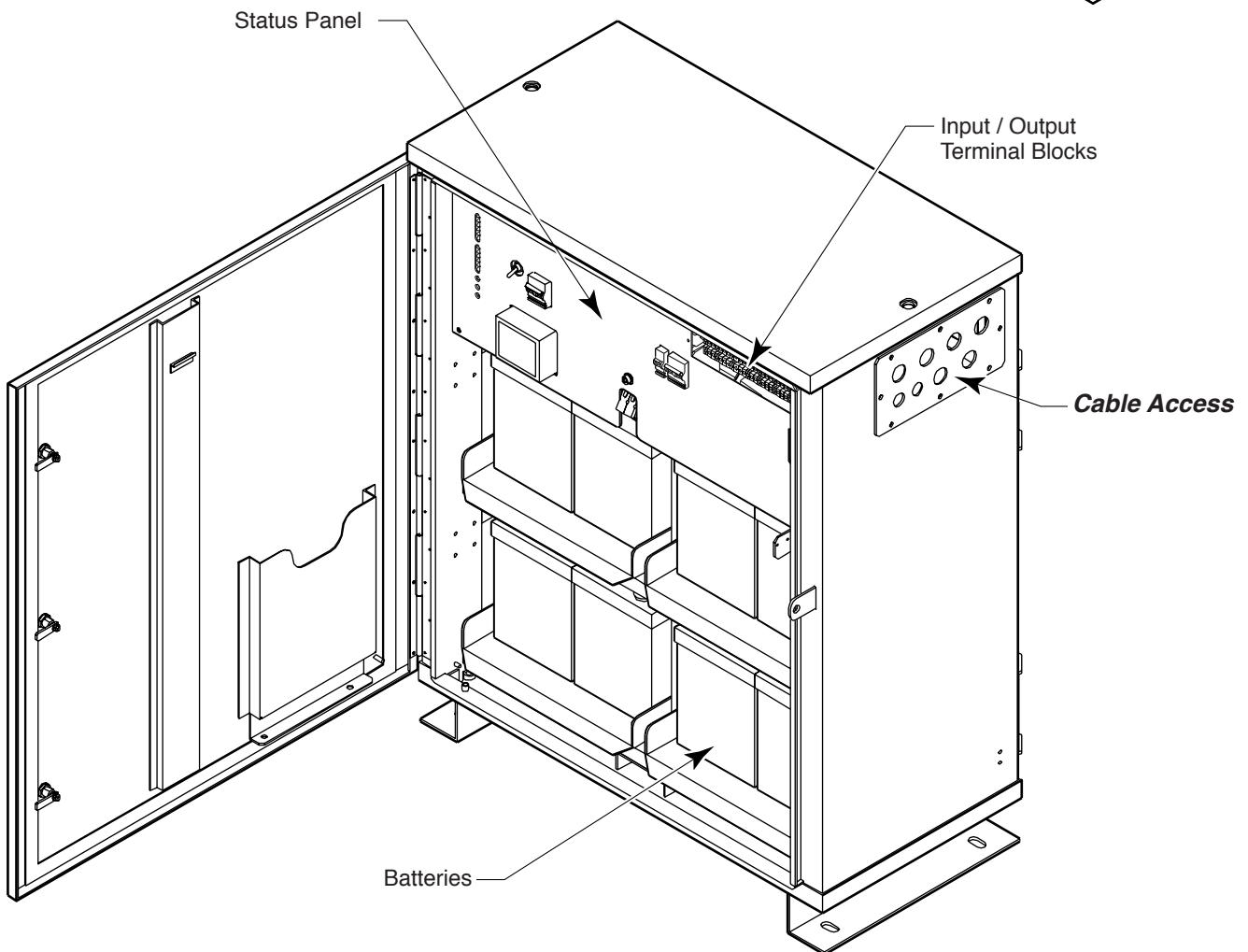
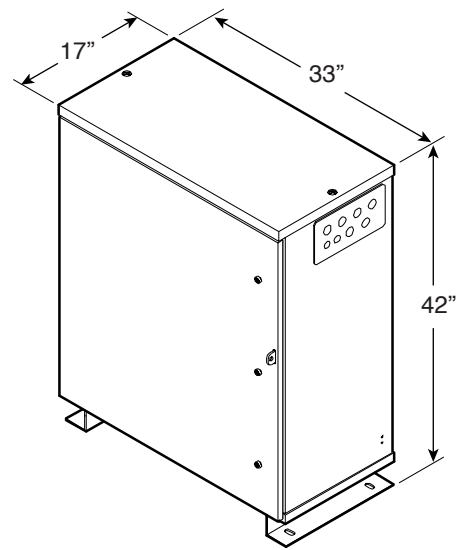
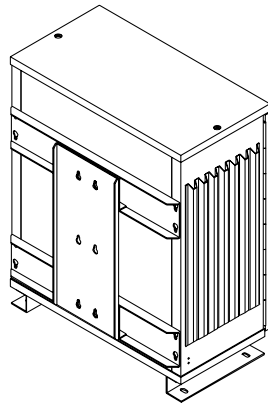
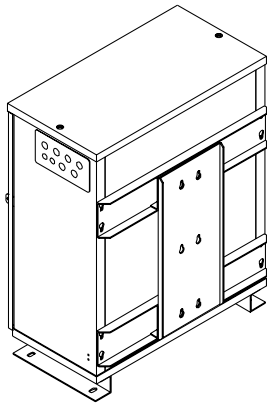
CRUCIAL POWER PROPRIETARY  
CONFIDENTIAL INFORMATION

REVISION				
REV	ECO	DESCRIPTION	DATE	APPROVED
X1		PRELIMINARY	4/05/08	H. BAIK



**Unit Dimensions**  
Width: 19.5"  
Height: 20"  
Depth: 21.5"

<input type="checkbox"/> APPROVED <input type="checkbox"/> DISAPPROVED <input type="checkbox"/> APPROVED WITH COMMENTS		DATE:	UNLESS OTHERWISE SPECIFIED, DIMENSIONS ARE IN INCHES.		
COMMENTS:		ILLUSTD: CHUN	7/01/05	TITLE: <b>Harsh Environment PBC-I</b>	
NAME:		APPVD:	APPVD:	DWG #:	REV:
SIGNATURE:				HEP4135A-309	
SPECIFICATIONS SUBJECT TO CHANGE WITHOUT NOTICE					



### Harsh Environment PBC-II



PBC4135A-509