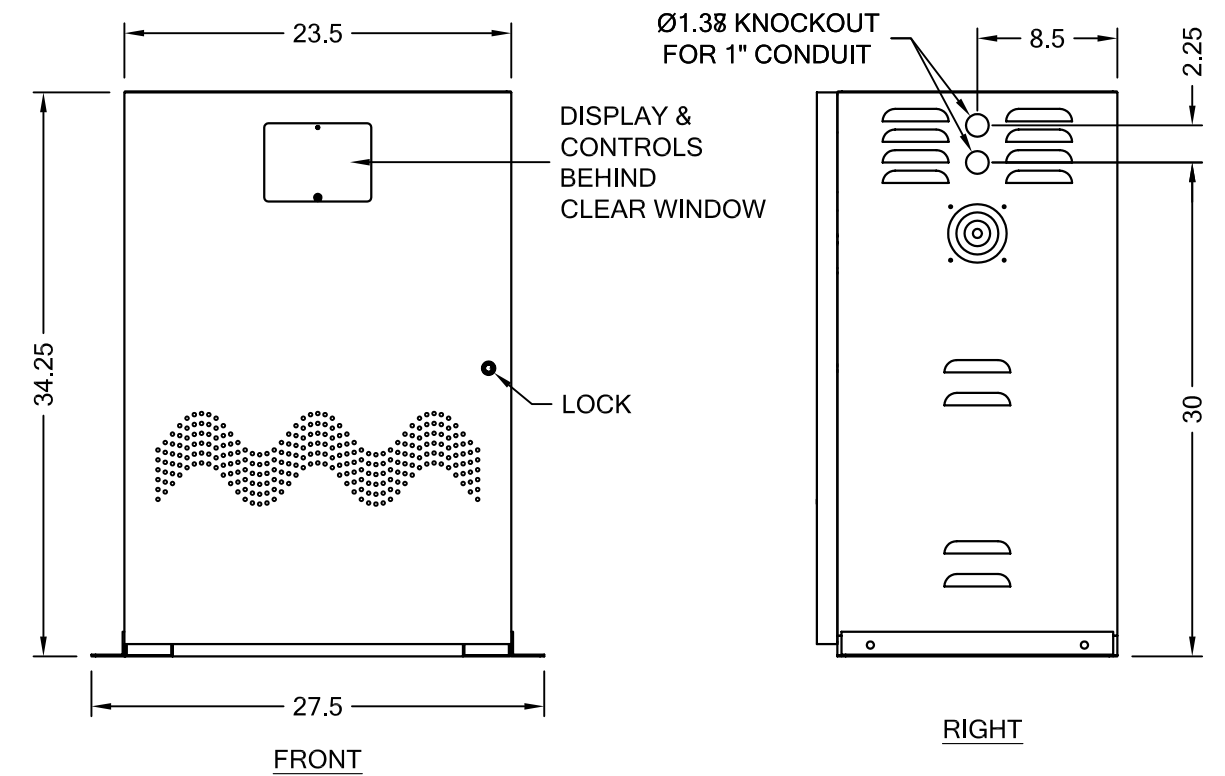
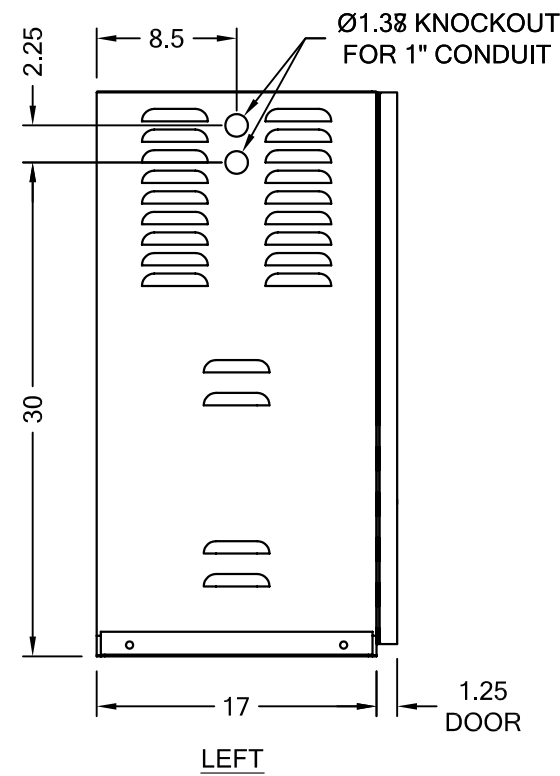
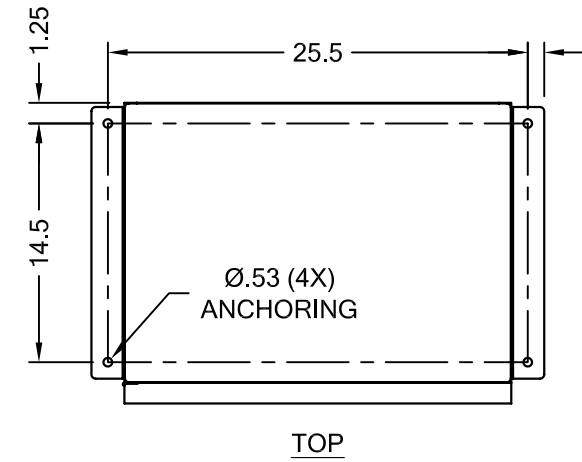
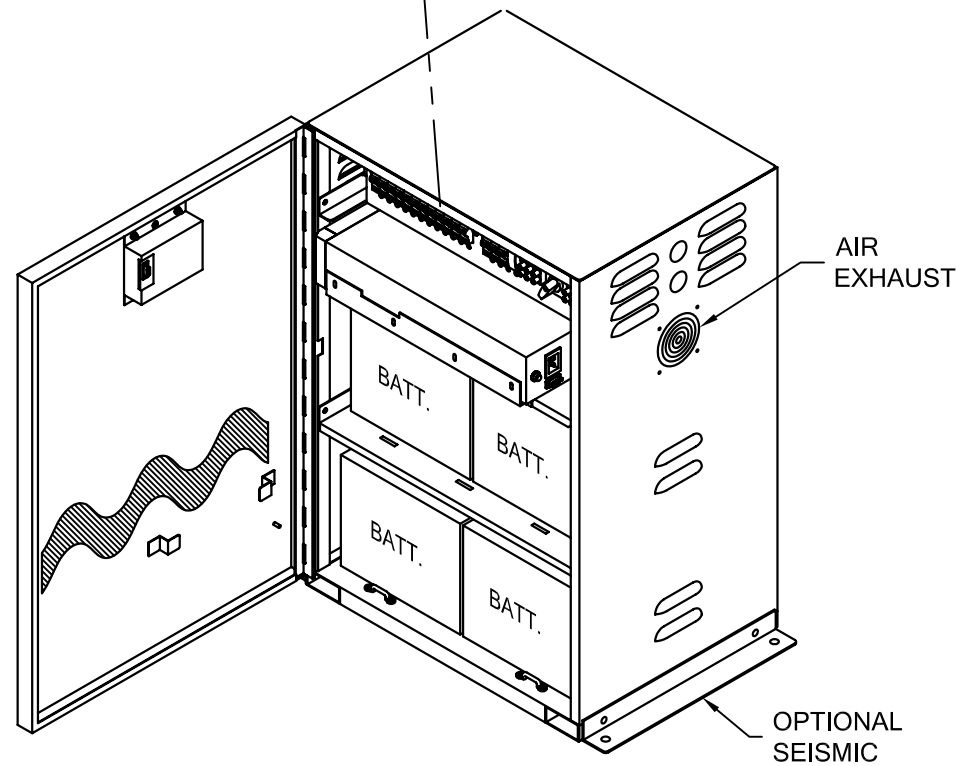
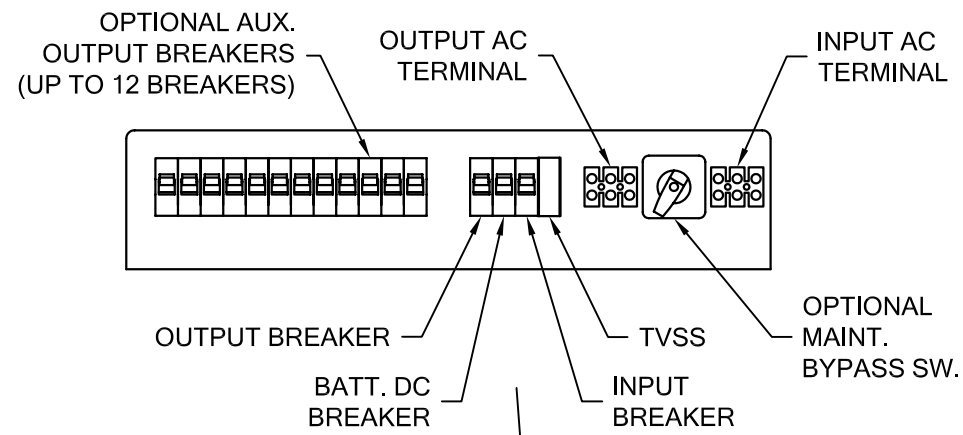


REVISION				
REV	ECO	DESCRIPTION	DATE	APPROVED
X5		UPDATED	9/27/12	H. BAIK

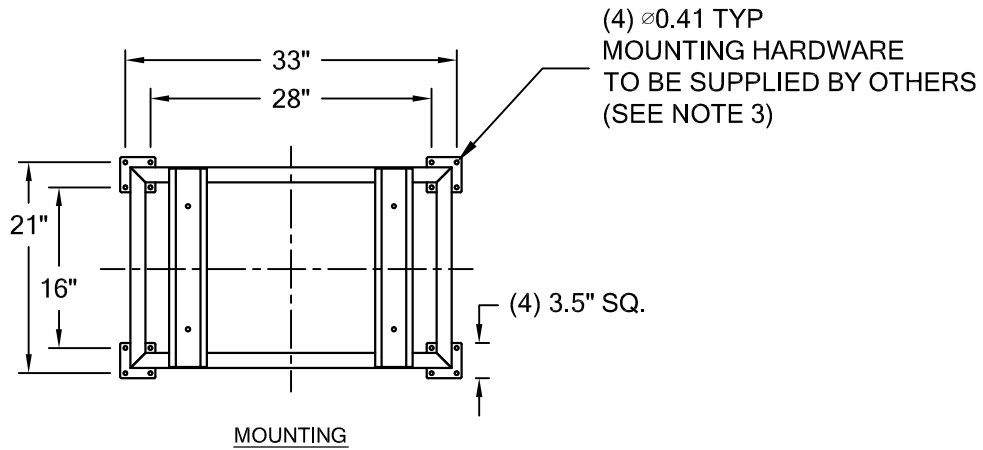


NOTES: (UNLESS OTHERWISE SPECIFIED)

- 1) ALL DIMENSIONS SHOWN ARE APPROXIMATE.
- 2) ENCLOSURE: INDOOR NEMA TYPE 1, COLOR BLACK.
- 3) DRAWING SHOWN WITH OPTIONAL SEISMIC.
- 4) RATING: FROM 500 W. TO 2100 W.
- 5) WEIGHT: FROM 265 LBS UP TO 760 LBS (WITH BATTERIES).

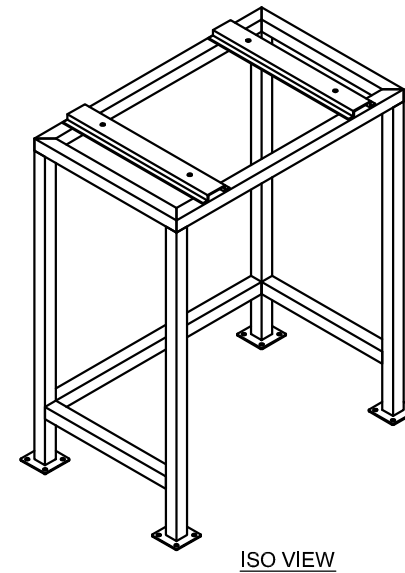
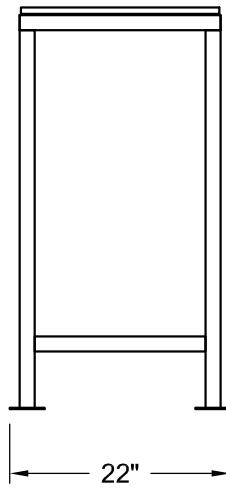
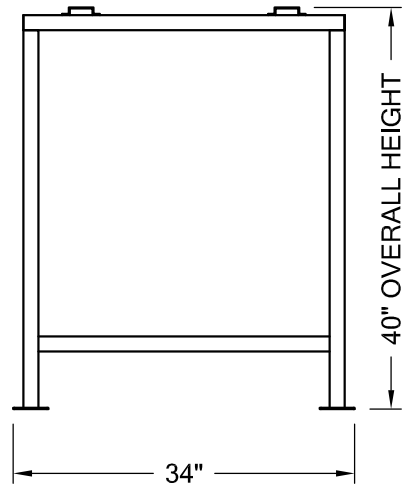
<input type="checkbox"/> APPROVED <input type="checkbox"/> DISAPPROVED DATE:		UNLESS OTHERWISE SPECIFIED, DIMENSIONS ARE IN INCHES. TOLERANCES ARE: DECIMALS FRACTIONS ANGLES .XX ± .03 ± 1/64 ± 1/2° .XXX ± .010	COMMERCE, CA	
<input type="checkbox"/> APPROVED WITH COMMENTS			TITLE: MINI POWER WAVE	
COMMENTS: _____		DRWN: HAI NGUYEN 1/27/10	SIZE: DWG	REV: X5
NAME: _____ SIGNATURE: _____		CHKD: HAI NGUYEN 1/27/10	B 6001-135	EST. WT.: _____ SHT 1 OF 1
		APPVD: H. BAIK 1/27/10	SCALE: _____ EST. WT.: _____ SHT 1 OF 1	
SPECIFICATIONS SUBJECT TO CHANGE WITHOUT NOTICE				


REVISION				
REV	ECO	DESCRIPTION	DATE	APPROVED
A	11089	NEW RELEASE	3/3/16	



NOTES:

- 1) FINISH: POWDER COAT BLACK FINE TEXTURE.
- 2) MOUNTING HARDWARE TO INSTALL UNIT TO STAND IS PROVIDED WITH THE KIT.
- 3) MOUNTING HARDWARE FOR STAND TO THE FLOOR TO BE SUPPLIED BY OTHERS, (CONSULT APPLICABLE CODES FOR HARDWARE TYPE AND LENGTH BASED ON TYPE OF FLOOR).



<input type="checkbox"/> APPROVED <input type="checkbox"/> DISAPPROVED <input type="checkbox"/> APPROVED WITH COMMENTS		DATE:	UNLESS OTHERWISE SPECIFIED, DIMENSIONS ARE IN INCHES. TOLERANCES ARE: DECIMALS FRACTIONS ANGLES .XX \pm .03 \pm 1/64 \pm 1/2" .XXX \pm .010		 COMMERCE, CA
COMMENTS: _____ _____ _____			TITLE 40" HEIGHT STAND (STACKABLE) MINI POWER WAVE		
NAME:		SIGNATURE:	CADD: S.SHAHSAVARI 3/3/16 CHKD: H.N 3/3/16 APPVD: H.BAIK 3/3/16	SIZE DWG A 6001-360	REV A
			SCALE:	EST. WT:	SHT 1 OF 1
SPECIFICATIONS SUBJECT TO CHANGE WITHOUT NOTICE					

