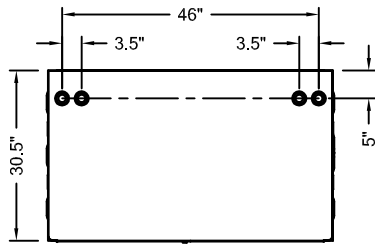
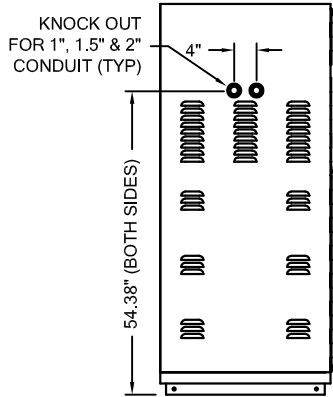


REVISION				
REV	ECO	DESCRIPTION	DATE	APPROVED
D	11475	UPDATED	4/20/17	H.N

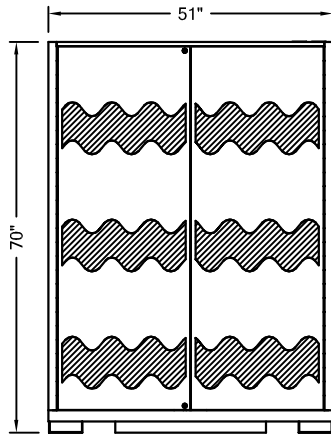
BATTERY CABINET
COLOR: BLACK



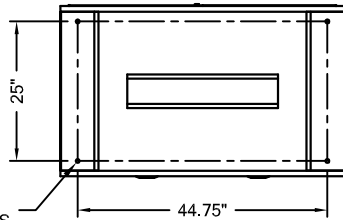
TOP VIEW



SIDE

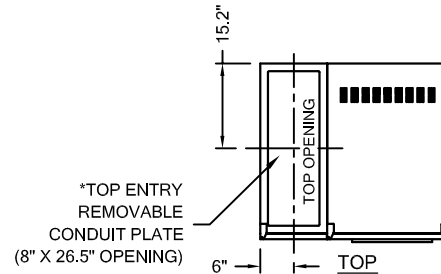


FRONT

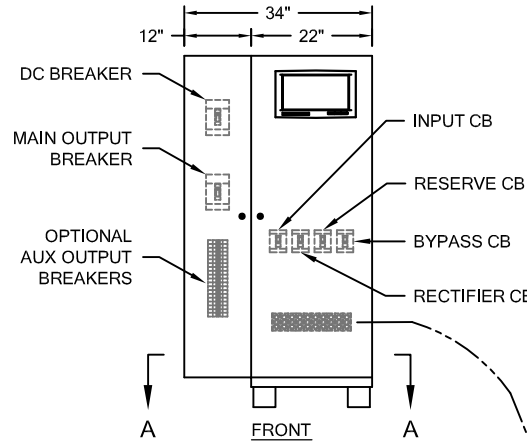


BOTTOM

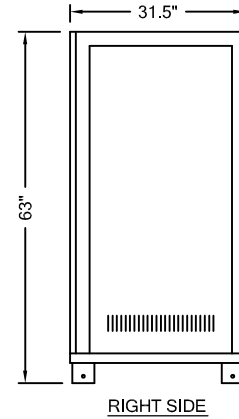
**EMERGENCY LIGHTING
INVERTER CABINET**
COLOR: BLACK
10KVA - 60KVA
(8KW - 48KW)



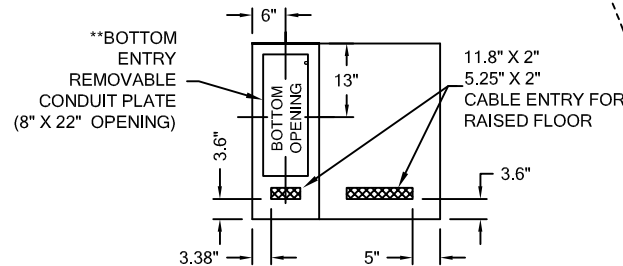
TOP



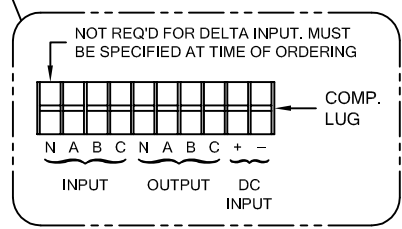
FRONT



RIGHT SIDE



VIEW A-A




NOTE:

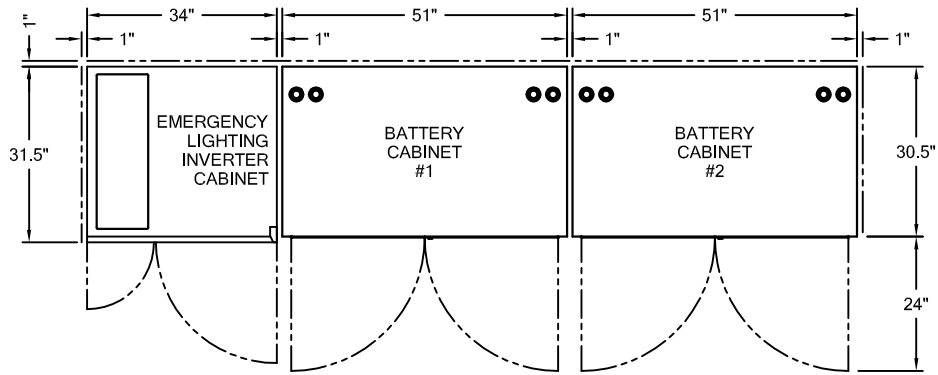
1) INSTALLING CONTRACTOR TO CREATE KNOCK OUTS ON INVERTER CONDUIT PLATES.

*TOP CABLE ENTRY CONDOUIT PLATE.

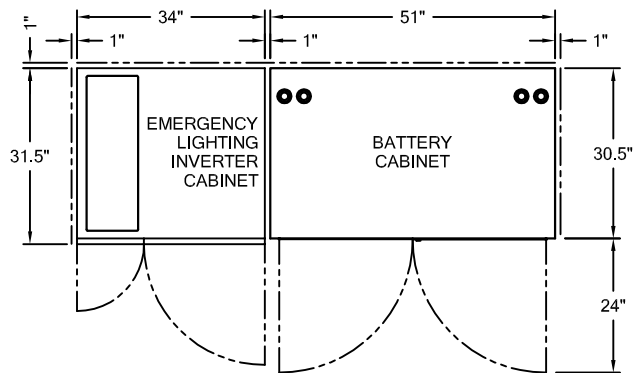
**BOTTOM CABLE ENTRY CONDOUIT PLATE.

UNLESS OTHERWISE SPECIFIED, DIMENSIONS ARE IN INCHES. TOLERANCES ARE: DECIMALS FRACTIONS ANGLES .XX ± .03 ± 1/64 ± 1/2° .XXX ± .010		 LOS ANGELES, CA	
CADD: HAI NGUYEN		5/19/11	
CHKD: HAI NGUYEN		5/19/11	
APPVD: H. BAIK		5/19/11	
TITLE		10KVA - 60KVA, 3PH. INV. WITH 90 MIN. BATT.	
SIZE	DWG	REV	
A	6001-174-01	D	
SCALE:		EST. WT:	
		SHT 1 OF 2	

SPECIFICATIONS SUBJECT TO CHANGE WITHOUT NOTICE



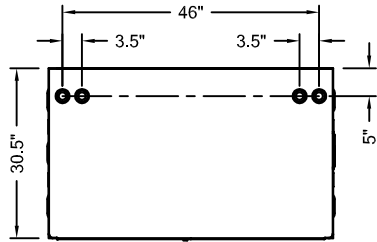
40 KVA (32 KW)	TOP TERMINAL BATTERY
50 KVA (40 KW)	
60 KVA (48 KW)	
50 KVA (40 KW)	FRONT TERM'L BATTERY
60 KVA (48 KW)	



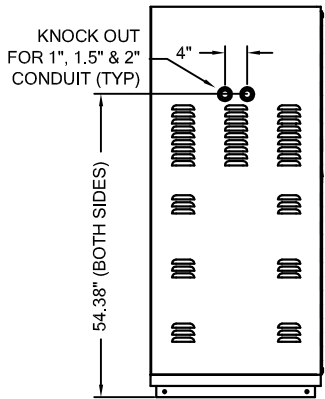
10 KVA (8 KW)	TOP TERMINAL BATTERY
20 KVA (16 KW)	
30 KVA (24 KW)	
10 KVA (8 KW)	FRONT TERMINAL BATTERY
20 KVA (16 KW)	
30 KVA (24 KW)	
40 KVA (32 KW)	

REVISION				
REV	ECO	DESCRIPTION	DATE	APPROVED
D	11475	UPDATED	4/20/17	H.N

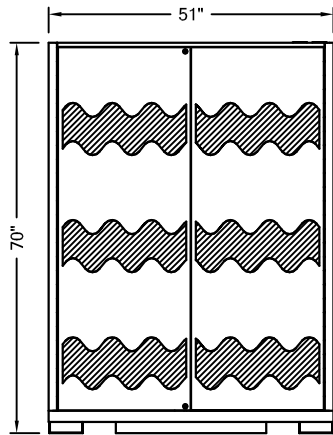
BATTERY CABINET
COLOR: BLACK



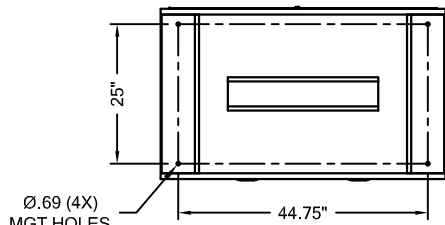
TOP VIEW



SIDE

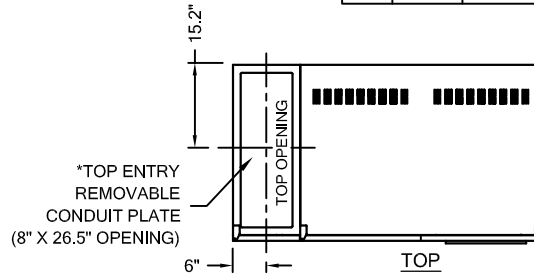


FRONT

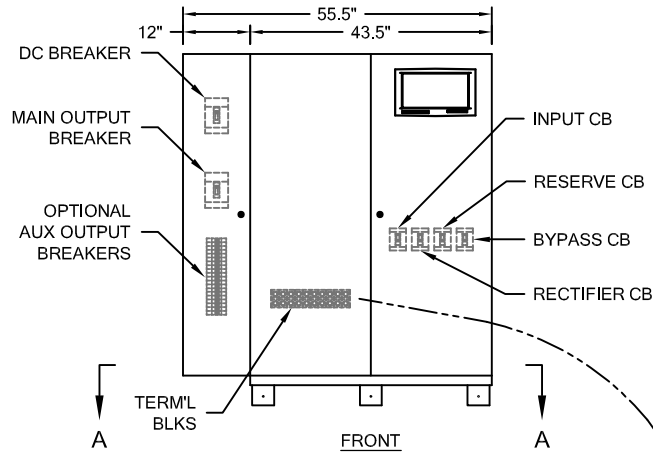


BOTTOM

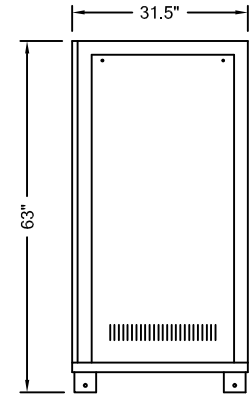
**EMERGENCY LIGHTING
INVERTER CABINET**
COLOR: BLACK
80KVA - 160KVA
(64KW - 128KW)



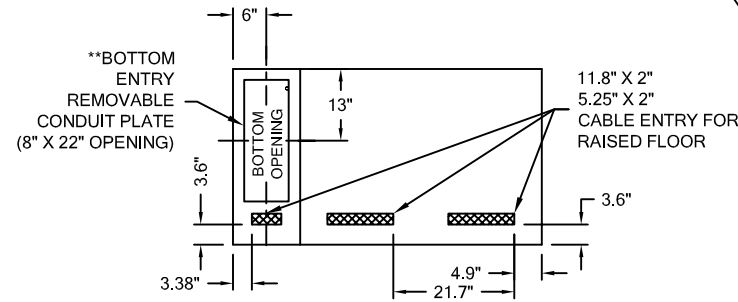
TOP



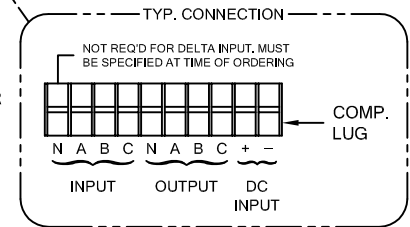
FRONT



RIGHT SIDE



VIEW A-A



NOTE:

1) INSTALLING CONTRACTOR TO CREATE KNOCK OUTS ON INVERTER CONDUIT PLATES.

*TOP CABLE ENTRY CONDUIT PLATE.

**BOTTOM CABLE ENTRY CONDUIT PLATE.

UNLESS OTHERWISE SPECIFIED,
DIMENSIONS ARE IN INCHES.
TOLERANCES ARE:
DECIMALS FRACTIONS ANGLES
.XX ± .03 ± 1/64 ± 1/2°
.XXX ± .010



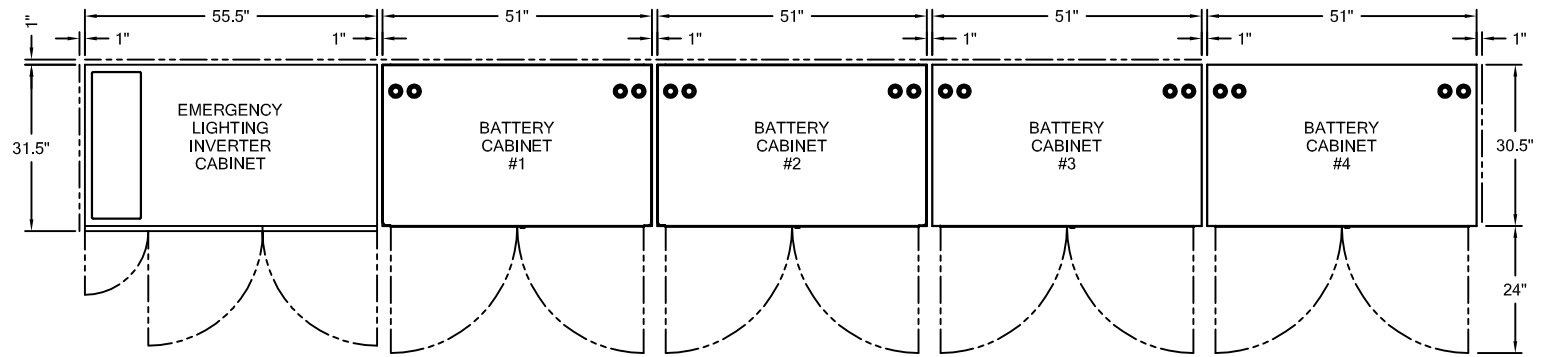
LOS ANGELES, CA

CADD: HAI NGUYEN	5/19/11
CHKD: HAI NGUYEN	5/19/11
APPVD: H. BAIK	5/19/11

TITLE 80KVA - 160KVA, 3PH. INV. WITH 90 MIN. BATT.		
SIZE A	DWG 6001-174-02	REV D
SCALE:	EST. WT:	SHT 1 OF 3

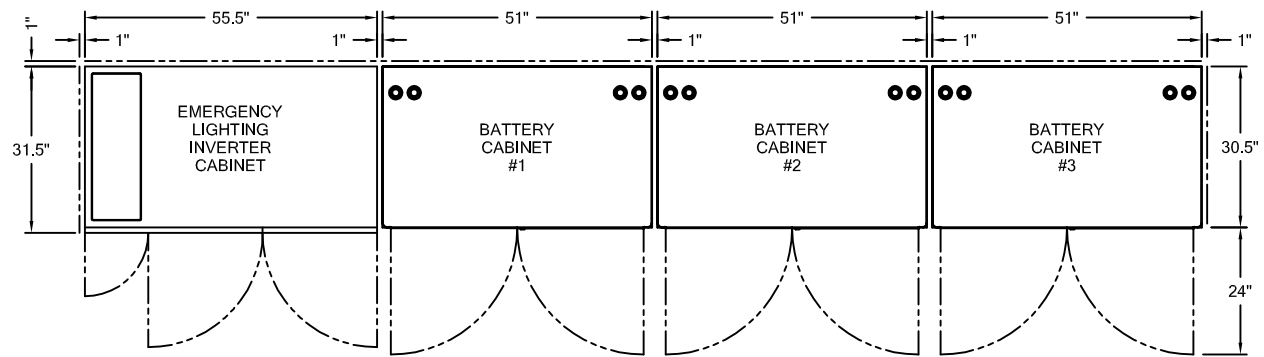
TOP TERM'L
BATTERY
120 KVA (96 KW)

FRONT TERM'L
BATTERY
160 KVA (128KW)

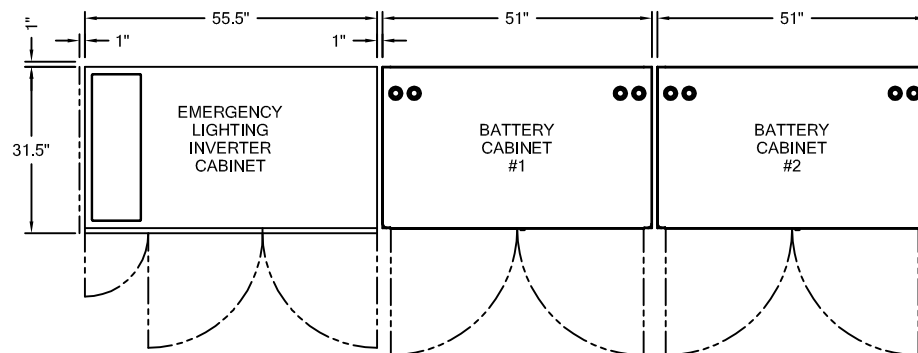


TOP TERM'L
BATTERY
100KVA (80 KW)
80KVA (64 KW)

FRONT TERM'L
BATTERY
100 KVA (80 KW)
120 KVA (96 KW)

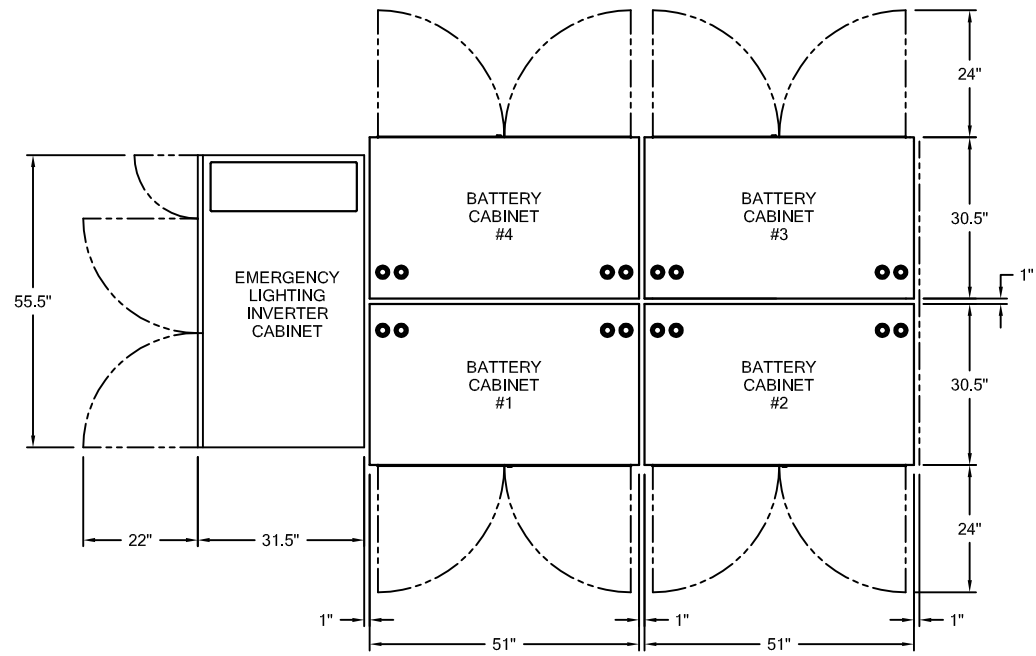
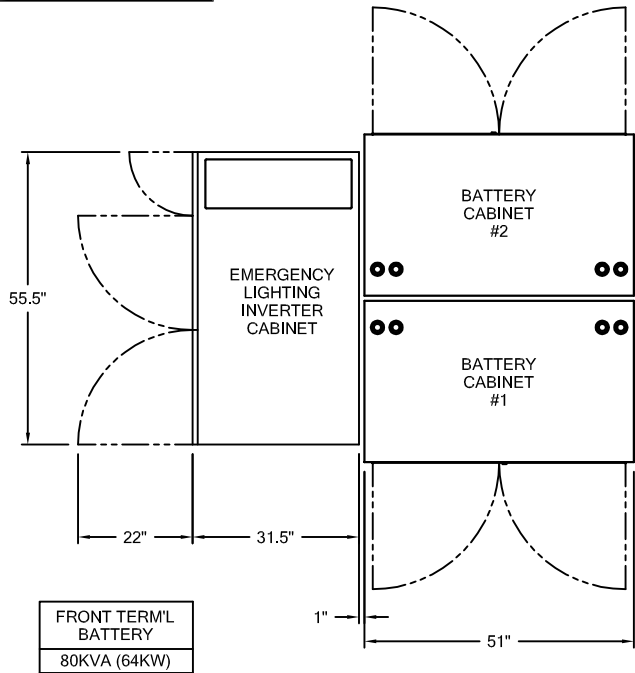


FRONT TERM'L
BATTERY
80 KVA (64 KW)



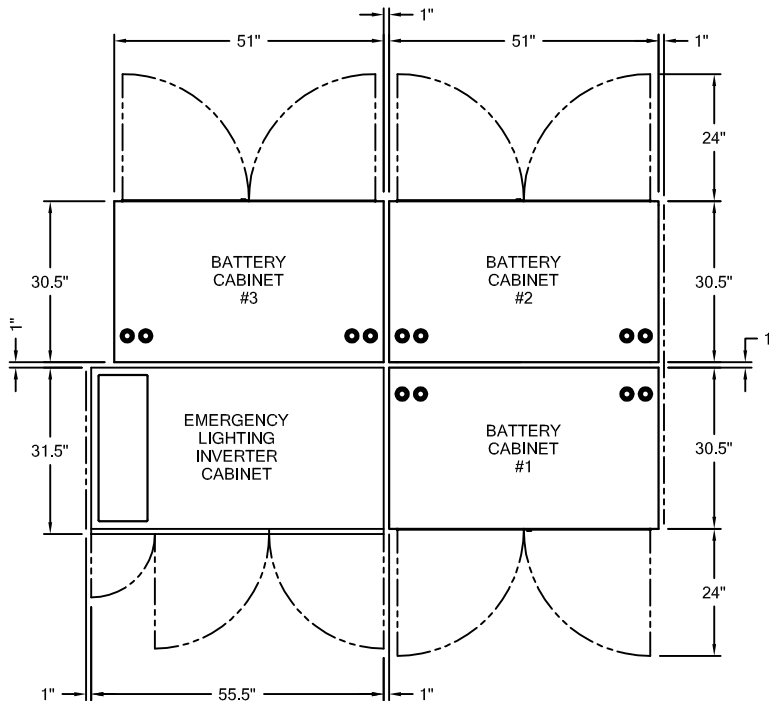
LAYOUT
CONFIGURATION
#1

SIZE	DWG	REV
A	6001-174-02	D
SCALE:	EST. WT:	SHT 2 OF 3



TOP TERM'L BATTERY
80 KVA (64 KW)
100 KVA (80 KW)

FRONT TERM'L BATTERY
100 KVA (80 KW)
120 KVA (96 KW)



TOP TERM'L BATTERY
120 KVA (96 KW)

FRONT TERM'L BATTERY
160 KVA (128KW)

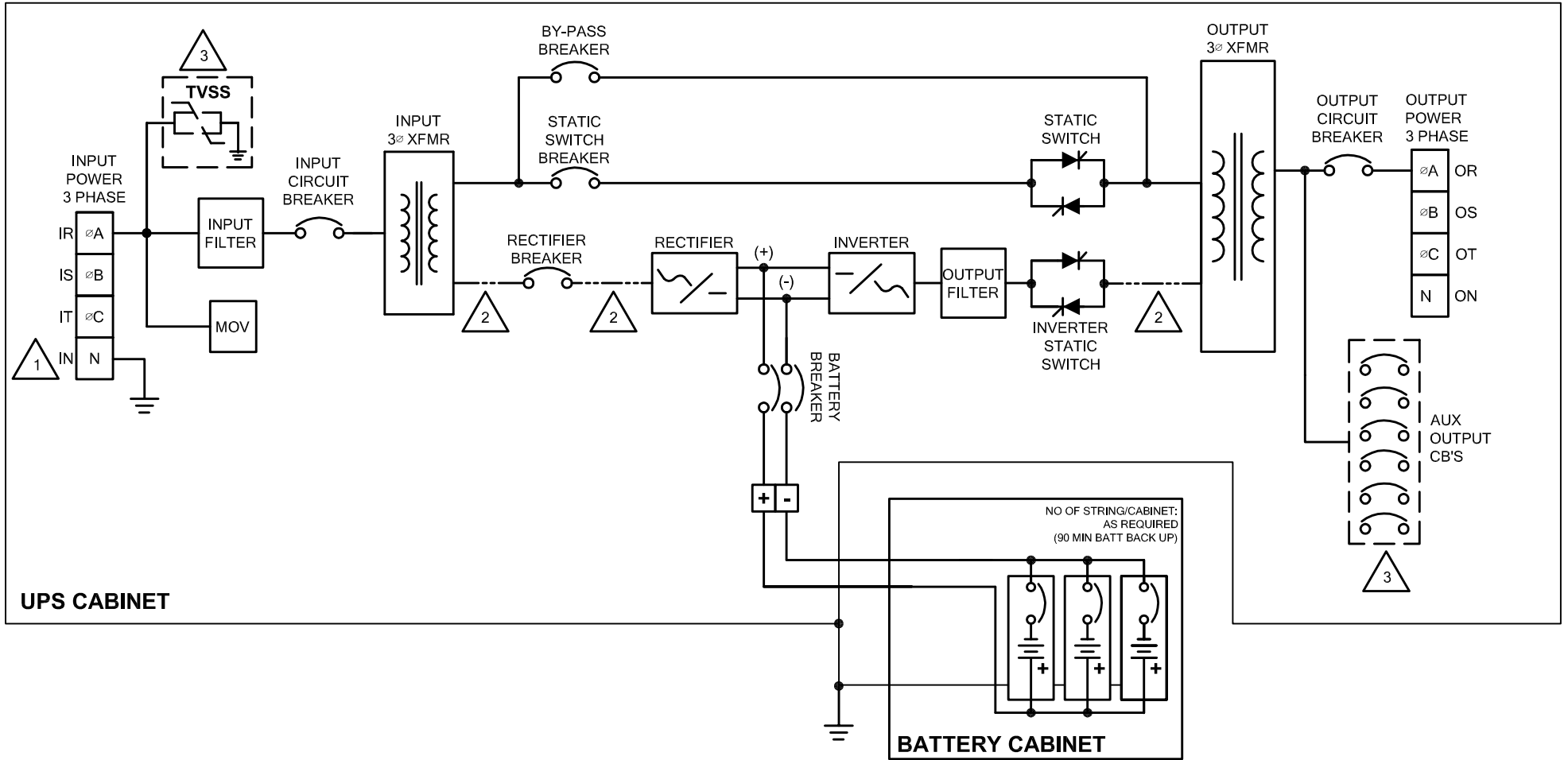
LAYOUT
CONFIGURATION
#2

SIZE A	DWG 6001-174-02	REV D
SCALE:	EST. WT:	SHT 3 OF 3

SINGLE SOURCE, WYE/DELTA INPUT UNIT

REVISION

REV	ECO	DESCRIPTION	DATE	APPROVED
A	10024	NEW RELEASE	4/23/13	H.BAIK
B	11137	REVISED NOTE 1 TO DELTA IS OPTION	4/7/16	H.BAIK



UPS CABINET

BATTERY CABINET

NOTES: (UNLESS OTHERWISE SPECIFIED)

- 1 WYE INPUT (4 WIRES), INPUT: ØA, ØB, ØC, N or IR, IT, IS, IN .
DELTA (3 WIRES) INPUT (OPTION): "N" or "IN" IS GND.
- 2 FOR GREEN MODES UNITS ONLY, POWER FLOW FROM INVERTER STATIC SWITCH WHEN INPUT POWER FAILS.
- 3 DOTTED BLOCKS ARE OFFERED AS OPTION.
- 4 SHOWN ONLY SINGLE PHASE (TYP).

UNLESS OTHERWISE SPECIFIED,
DIMENSIONS ARE IN INCHES.
TOLERANCES ARE:
DECIMALS FRACTIONS ANGLES
.XX ± .03 ± 1/64 ± 1/2"
.XXX ± .010



COMMERCE, CA

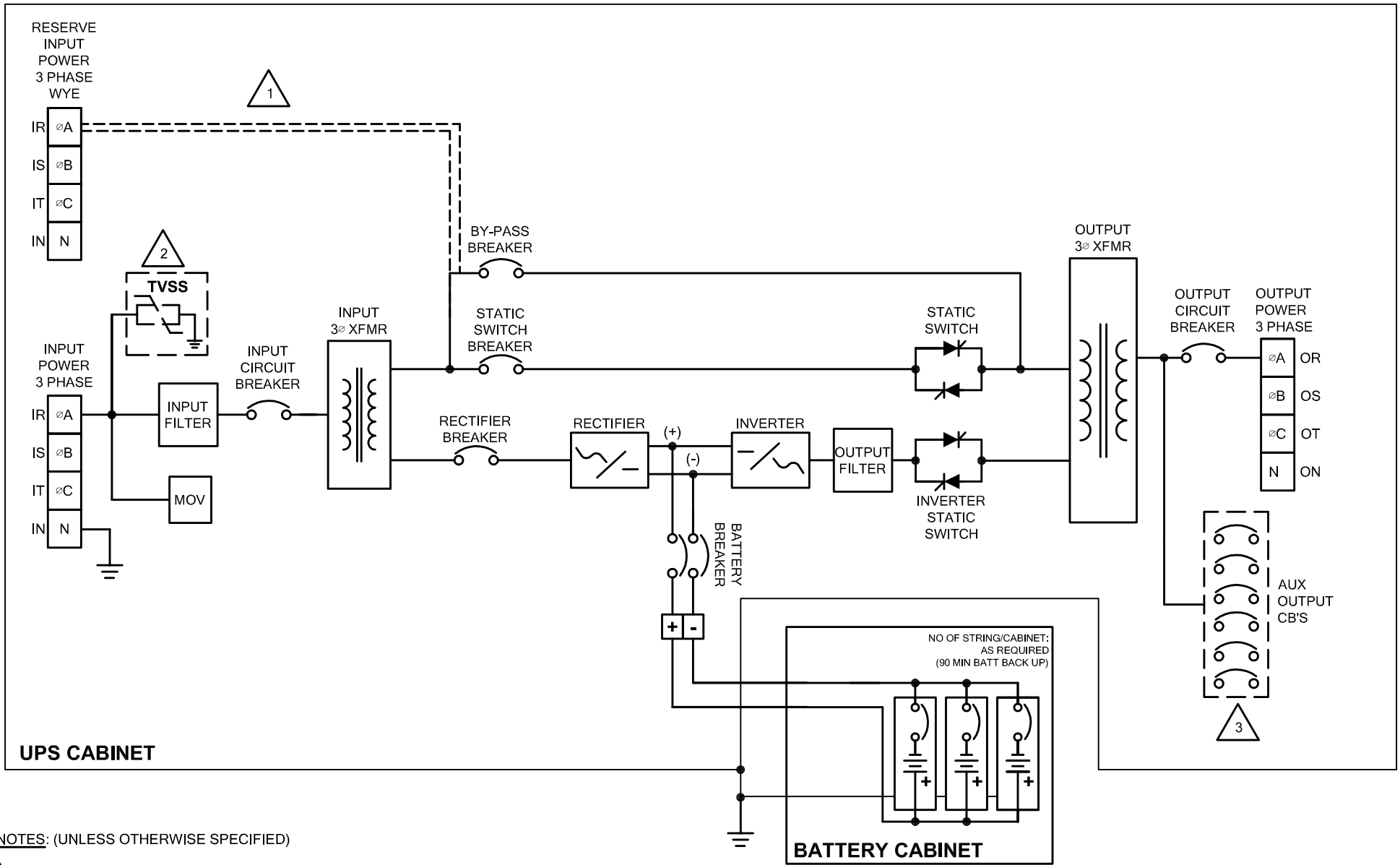
TITLE THREE PHASE UPS (POWER WAVE 4)
BLOCK DIAGRAM

CADD:S.SHAHSAVARI	8/9/12
CHKD:S.SHAHSAVARI	8/9/12
APPVD: H.BAIK	8/9/12

SIZE A	DWG 6001-235	REV B
SCALE:	EST. WT:	SHT 1 OF 3

SPECIFICATIONS SUBJECT TO CHANGE WITHOUT NOTICE

DUAL SOURCE WYE, WYE INPUT UNIT



UPS CABINET

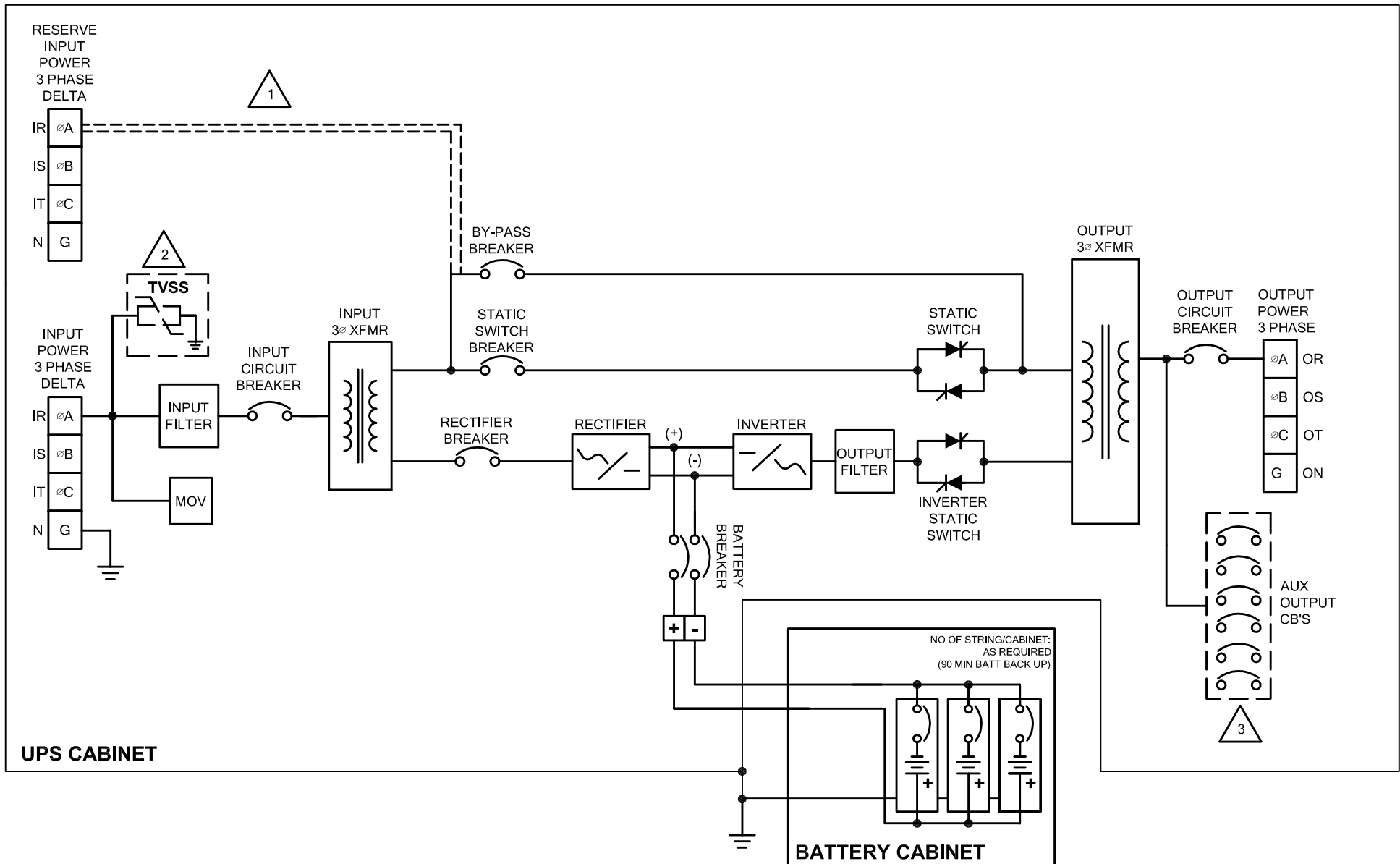
BATTERY CABINET

NOTES: (UNLESS OTHERWISE SPECIFIED)

- 1 DOUBLE DOTTED LINE: FOR DUAL INPUT POWER SOURCE, CONNECT BY-PASS CB/STATIC SWITCH CB TO RESERVE INPUT POWER TERMINAL.
- 2 DOTTED BLOCKS ARE OFFERED AS OPTION.
- 3 SHOWN ONLY SINGLE PHASE (TYP).

SIZE	DWG	REV
A	6001-235	B
SCALE:	EST. WT:	SHT 2 OF 3

DUAL SOURCE DELTA, DELTA INPUT UNIT



NOTES: (UNLESS OTHERWISE SPECIFIED)

1 DOUBLE DOTTED LINE: FOR DUAL INPUT POWER SOURCE, CONNECT BY-PASS CB/STATIC SWITCH CB TO RESERVE INPUT POWER TERMINAL.

2 DOTTED BLOCKS ARE OFFERED AS OPTION.

3 SHOWN ONLY SINGLE PHASE (TYP).

SIZE	DWG	REV
A	6001-235	B
SCALE:	EST. WT:	SHT 3 OF 3