



# Nano Wave

Single Phase, 27W, 36W and 200W  
Remote Emergency Inverter (REI)



## LITHIUM ION BATTERY DIMMING INVERTERS

Online Power's UL924 Nano Series Remote Emergency Lighting Inverters operate LED and Fluorescent Fixtures with Pure Sinusoidal Power during loss of normal AC power. Online Power's Nano Wave 27W, 36W and 200W inverters support emergency lighting for 90 minutes in accordance with Life Safety Code requirements. All Nano Wave Inverters can be derated for 2 hour run time.



### Scan QR Code

For the latest product news, technical specs, drawings, guides and manuals.

### ADDITIONAL INFORMATION

Our line of Nano inverters can operate as a stand alone 27W, 36W, and 200W inverter or used with 0-10Vdc controlled dimmable luminaires up to 110W (27W), 180W (36W), and 900W (200W). Online Power Nano inverters can be used with single and multiple channel LED drivers and Type A, B or C TLED lamps.

Our 27W and 36W Nano inverters are set to 20% output (programmable to 30%) per fixture to allow multi-fixture backup. The 200W Nano inverter can be used with 0-10 Vdc controlled dimmable luminaires up to 900W @120Vac or 2000W @277Vac while automatically adjusting the 0-10 Vdc dimming voltage to the AC drivers for rated emergency output.

Online Power's Nano Inverters are designed to operate LED and fluorescent fixtures for 90 minutes in emergency operation upon a power failure regardless of wall switch position.

### STANDARD FEATURES

- ✓ **Lithium Ion Battery**
- ✓ **Built-In UL 924 Relay**
- ✓ **90 Minute Backup at Full Load can be derated to 2 hours**
- ✓ **Listed to UL924 Safety Standards**
- ✓ **Compatible with Fluorescent and LED fixtures**
- ✓ **Self Testing Monthly (30 sec) and Annually (90 min)**
- ✓ **Manual Test Switch**
- ✓ **5 Year Warranty**



# SPECIFICATIONS

## Nano Wave

Single Phase  
27W, 36W and 200W

Lithium Ion Backup  
Emergency Inverters

27REI



36REI

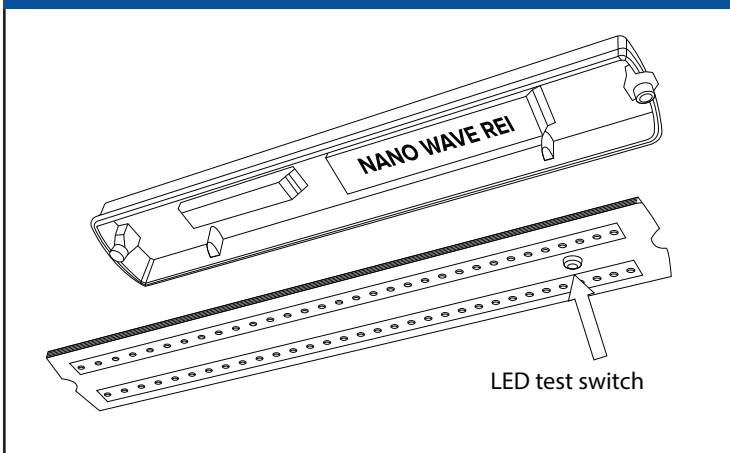


200REI

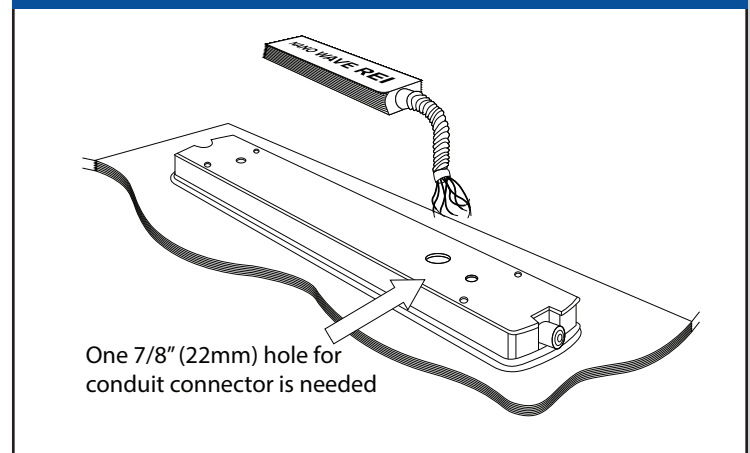


Emergency Power	27W	36W	200W
Input Voltage - Universal	120-277 Vac	120-277 Vac	120-277 Vac
Operating Frequency	50/60 Hz	50/60 Hz	50/60 Hz
Output Voltage Auto Setting equal to input	120-277 Vac, 50/60 Hz	120-277 Vac, 50/60 Hz	120-277 Vac, 50/60 Hz
Emergency Run Time	90 Minutes can be derated to 2 hours.	90 Minutes can be derated to 2 hours	90 Minutes Can be for 2 hours but load only to 150W
Emergency Dimming when using 0-10 Vdc systems	<b>Operates up to 110W</b> Programmed to 20% output option to adjust to 30%	<b>Operates up to 180W</b> Programmed to 20% output option to adjust to 30%	<b>Auto adjust to 200W</b> Max. Normal load 900W @ 120V 2000W @ 277V
Auto Test	30 Seconds every 30 days 90 minutes annually	30 Seconds every 30 days 90 minutes annually	30 Seconds every 30 days 90 minutes annually
Weight	2.9 lbs	3.0 lbs	9.0 lbs
Operating Temperature ° C	0-55° C	0-55° C	0-50° C
Warranty	5 Years Full	5 Years Full	5 Years Full
Approvals	UL Listed to UL924 CEC Title 20	UL Listed to UL924 CEC Title 20	UL Listed to UL924 CEC Title 20
Dimensions	13.5"L x 3.23"W x 1.18"H	13.5"L x 3.23"W x 1.18"H	19"L x 4.5"W x 1.63"H
Single or multiple luminaire operation	Yes	Yes	Yes
Remote Mounting Distance	1000 ft	1000 ft	1000 ft

### MOUNTING INSIDE THE LUMINAIRE



### MOUNTING OUTSIDE THE LUMINAIRE



### Warranty

Standard warranty five year warranty.

